

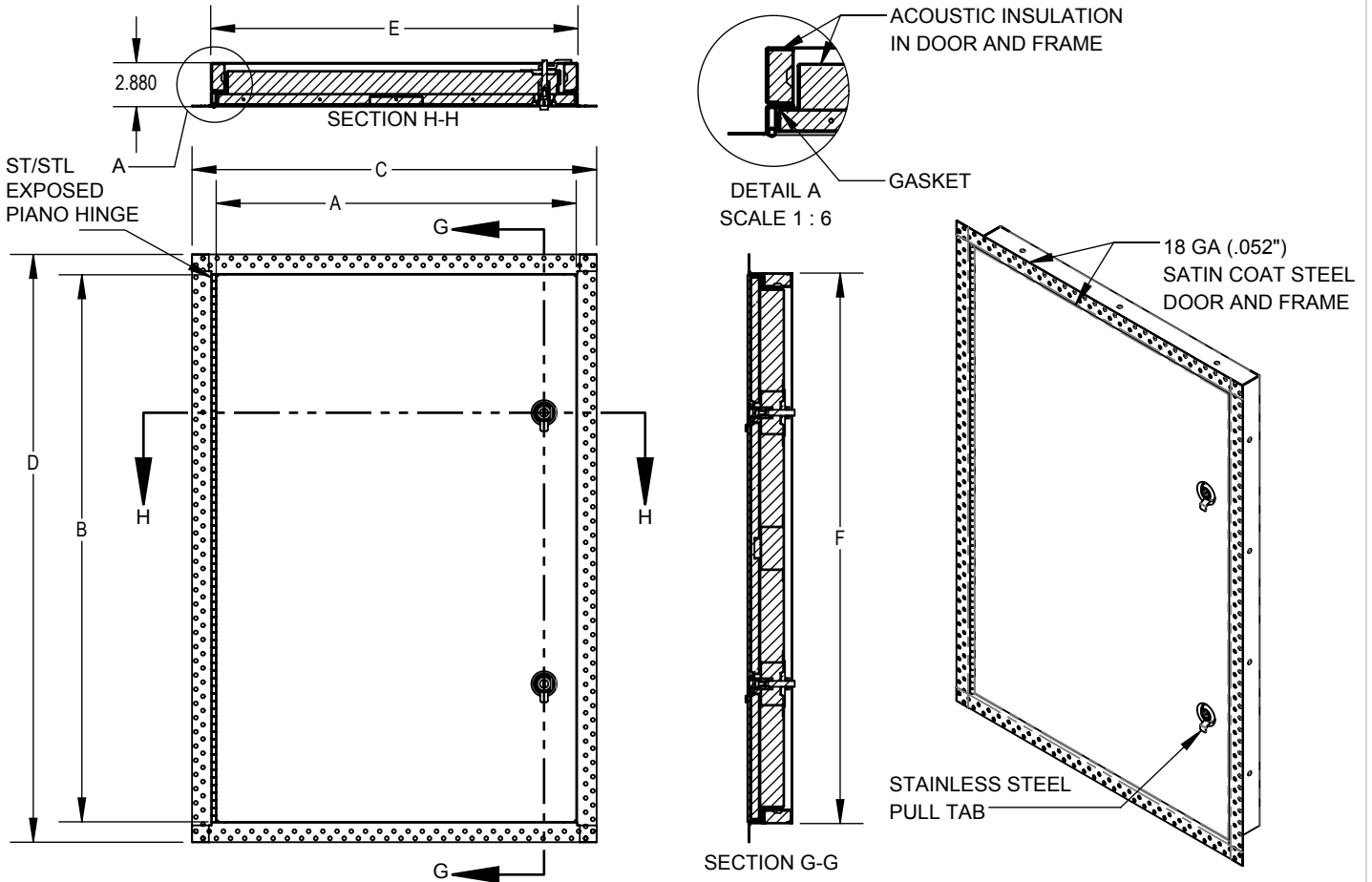


www.acudor.com
 U.S.A.: info@acudor.com / 800.722.0501
 CANADA: info@acudor.ca / 844.228.3671
 INTERNATIONAL: info@acudorintl.com
 (905) 428.2240


ACF-2064-DW

FLUSH ACOUSTICAL ACCESS DOOR FOR DRYWALL

QTY	NOMINAL SIZE	A	B	C	D	E	F	LOCK QTY
	12 X 12 (305mm X 305mm)	11.567 (294mm)	11.818 (300mm)	14.484 (368mm)	14.484 (368mm)	12.044 (306mm)	12.044 (306mm)	1
	16 X 16 (406mm X 406mm)	15.567 (395mm)	15.818 (402mm)	18.484 (469mm)	18.484 (469mm)	16.044 (408mm)	16.044 (408mm)	1
	18 X 18 (457mm X 457mm)	17.567 (446mm)	17.818 (453mm)	20.484 (520mm)	20.484 (520mm)	18.044 (458mm)	18.044 (458mm)	1
	24 X 24 (610mm X 610mm)	23.567 (599mm)	23.818 (605mm)	26.484 (673mm)	26.484 (673mm)	24.044 (611mm)	24.044 (611mm)	1
	24 X 36 (610mm X 914mm)	23.567 (599mm)	35.818 (910mm)	26.484 (673mm)	38.484 (977mm)	24.044 (611mm)	36.044 (915mm)	2



STANDARD FEATURES:

- 18GA (.052) SATIN COAT STEEL
- PRIME COAT WHITE
- 1/8" X 1/2" NEOPRENE GASKET WITH RUBBER ADHESIVE
- SLOTTED COMPRESSION LATCH 

OPTIONS:

- MATERIAL: STAINLESS STEEL FINISH: #4 SATIN BRUSH

LOCK OPTIONS:

- HEX 
 HEX WITH SECURITY PIN 
 SQUARE 
 TRIANGLE 
 LOCKING T-HANDLE 

ACOUSTIC RATING:

TESTED AND EVALUATED TO
 ASTM: E90(09), ASTM: E413(16), ASTM: E1332(16)
 CERTIFIED TO STC RATING 64 AND OITC RATING 54

JOB NAME:

APPROVED BY:

CUSTOMER:

DATE: