

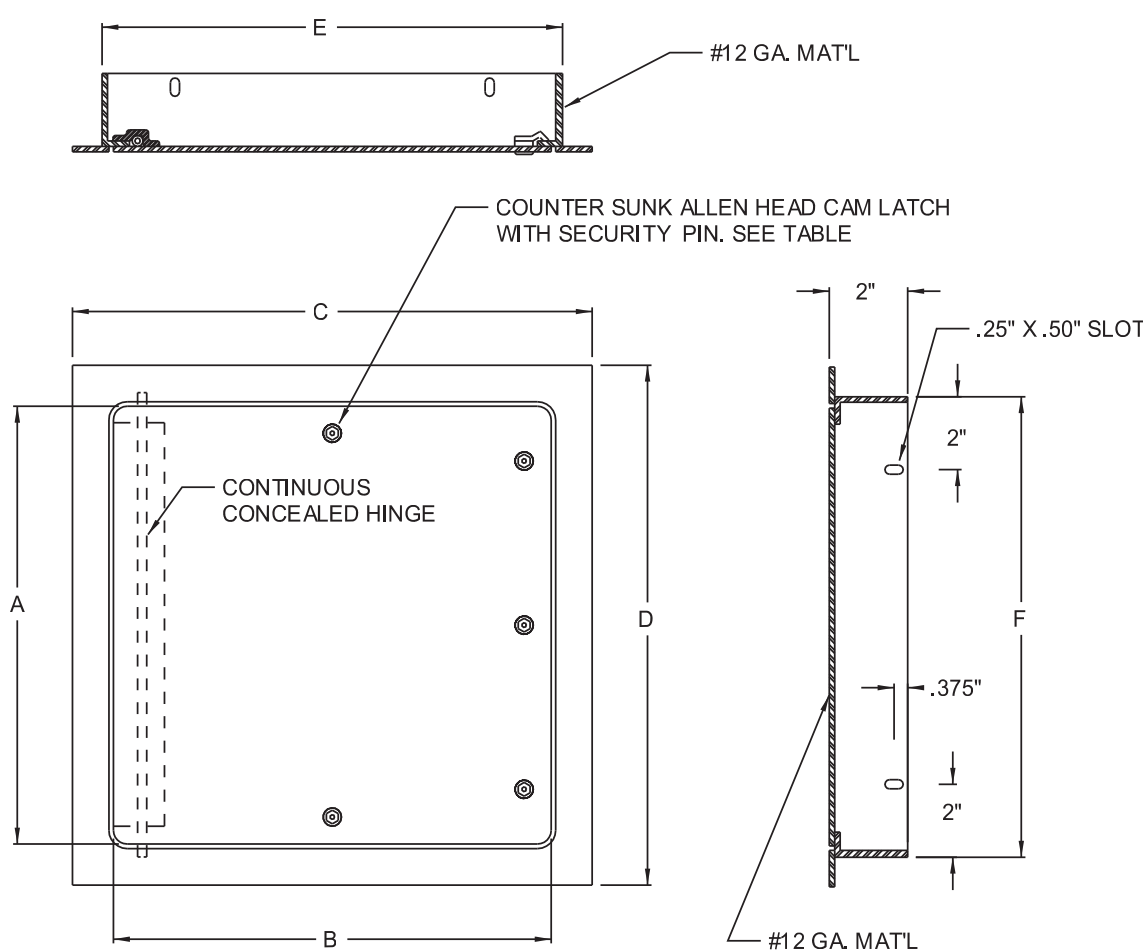


www.acudor.com
 U.S.A.: info@acudor.com / 800.722.0501
 CANADA: info@acudor.ca / 844.228.3671
 INTERNATIONAL: info@acudorintl.com
 (905) 428.2240

MS-7000

MEDIUM SECURITY

| QTY. | NOMINAL SIZE | A | B | C | D | E | F | ALLEN KEY |
|------|---------------------|--------------|--------------|-------------|-------------|-------------|-------------|-----------|
| | 12 x 12 (305 x 305) | 11.480 (292) | 11.456 (291) | 14.50 (368) | 14.50 (368) | 12.25 (311) | 12.25 (311) | 1 |
| | 16 x 16 (406 x 406) | 15.480 (393) | 15.456 (393) | 18.50 (470) | 18.50 (470) | 16.25 (413) | 16.25 (413) | 2 |
| | 18 x 18 (457 x 457) | 17.480 (444) | 17.456 (443) | 20.50 (521) | 20.50 (521) | 18.25 (464) | 18.25 (464) | 2 |
| | 24 x 24 (610 x 610) | 23.480 (596) | 23.456 (596) | 26.50 (673) | 26.50 (673) | 24.25 (616) | 24.25 (616) | 4 |
| | 24 x 36 (610 x 914) | 35.480 (901) | 23.456 (596) | 26.50 (673) | 38.50 (978) | 24.25 (616) | 36.25 (921) | 5 |
| | 36 x 36 (914 x 914) | 35.480 (901) | 35.456 (901) | 38.50 (978) | 38.50 (978) | 36.25 (921) | 36.25 (921) | 5 |
| | | | | | | | | |
| | | | | | | | | |



STANDARD FEATURES: TAMPER RESISTANT ALLEN HEAD CAM LATCH WITH SECURITY PIN, CARBON STEEL, PRIME COAT BAKED ENAMEL FINISH

OPTIONS:

LOCK TYPE

- SPANNER HEAD CAM LATCH
- CYLINDER LOCK & KEY
- RIM CYLINDER LOCKS WHEN MASTER KEYED
- HD DETENTION LOCK WITH PARACENTRIC KEY
- OTHER

MATERIAL

- STAINLESS STEEL
- OTHER

FINISH

- #4 SATIN POLISH
- OTHER

JOB NAME:
 CUSTOMER:

APPROVED BY:
 DATE: