

# RHA ALUMINUM SHIP STAIR ACCESS ROOF HATCH

## Application

Acudor Ship Stair Roof Hatches are designed to provide convenient, economical access to the roof of a building for maintenance.

## Features RHA

- Weather tight construction
- Convenient one-hand operation
- 12" high insulated curb
- Supports 40lbs./sq. ft. live load
- Stainless Steel Hardware

## Optional Features RHA

- Painted and Anodized finishes
- Curb Mounted Units
- Louvered Curbs
- Polycarbonate domes for daylighting
- Curb pitch corrected for sloped roof
- Higher curb heights for "green roof" applications

## RHA Specifications:

**Cover:** Double-skin construction ("in box type design") with 1" Polyiso (R-6) insulation and a continuous EPDM foam weather/draft seal gasket that is attached to the inside of cover to provide a flush, tight fit. Designed to support a live load of 40lbs./sq. ft., the cover is 10 gauge aluminum with a 20 gauge aluminum inside liner.

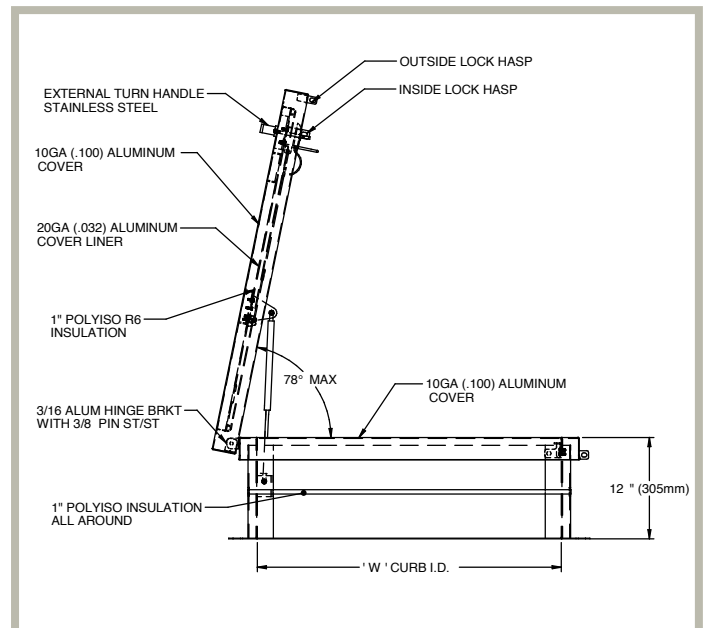
**Curb:** 10 gauge aluminum with 1" thick Polyiso (R-6) insulation at curb exterior. Curb is 12" high, with 3.375" wide bottom flange and pre-drilled mounting holes.

**Hinge:** Heavy duty Aluminum pintle hinges with 3/8" SS pin

**Opening:** Gas spring operators allow cover to open and close with ease. Stainless Steel Inside pull handle allows for easy control when closing cover.

**Door Latch:** Self latching, Stainless steel outside T handle with stainless steel inside lock and lever assembly. Unit also has inside and outside padlock provisions.

**Finish:** Mill finish.



## RHA STANDARD SIZES (other sizes available)

Model	Curb ID W&L	Weight per Hatch
	inches (mm)	lbs. (kg.)
A3862	30 x 54 (762 x 1372)	135 (61.4)

For detailed specifications see submittal sheet