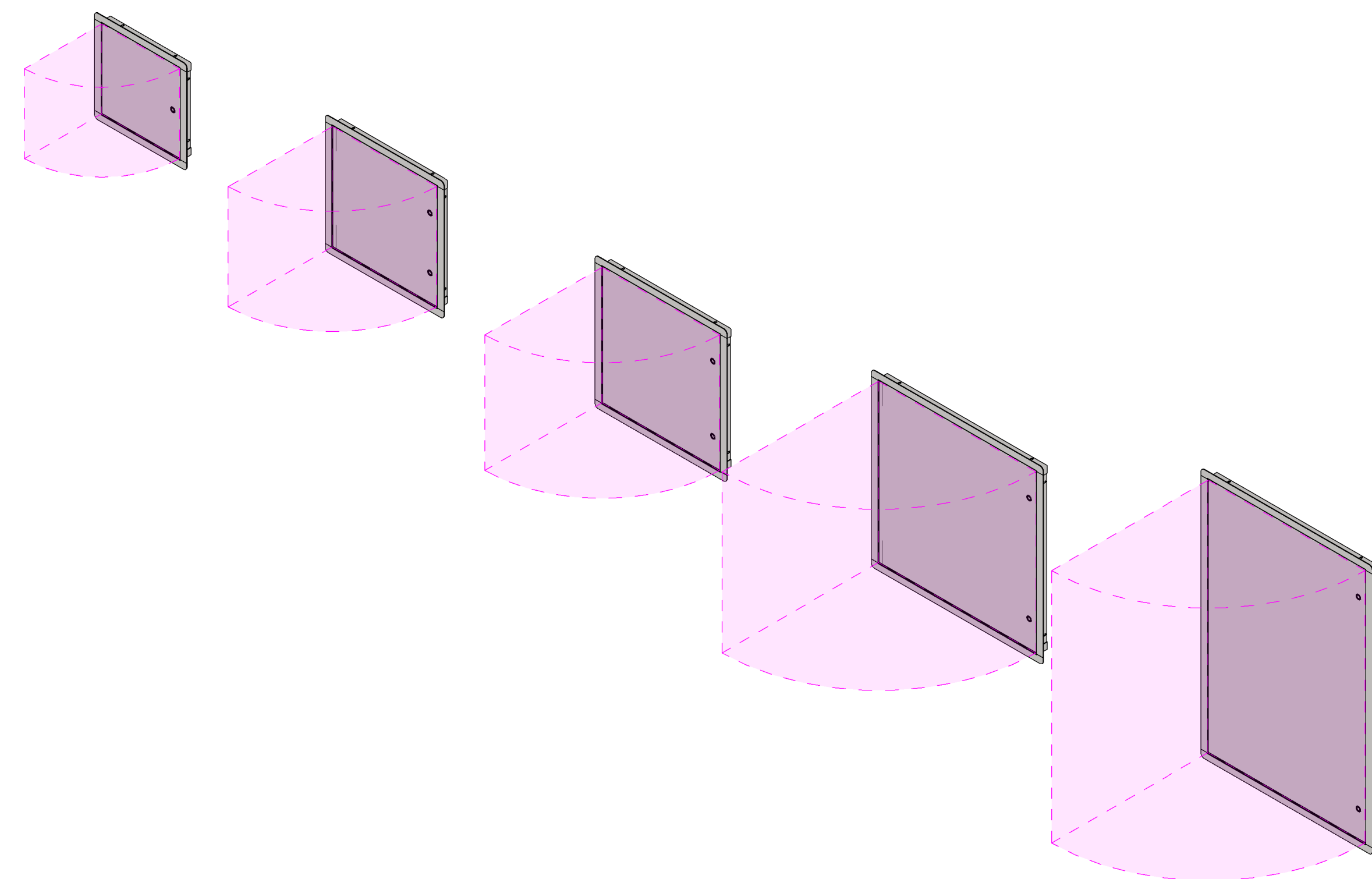
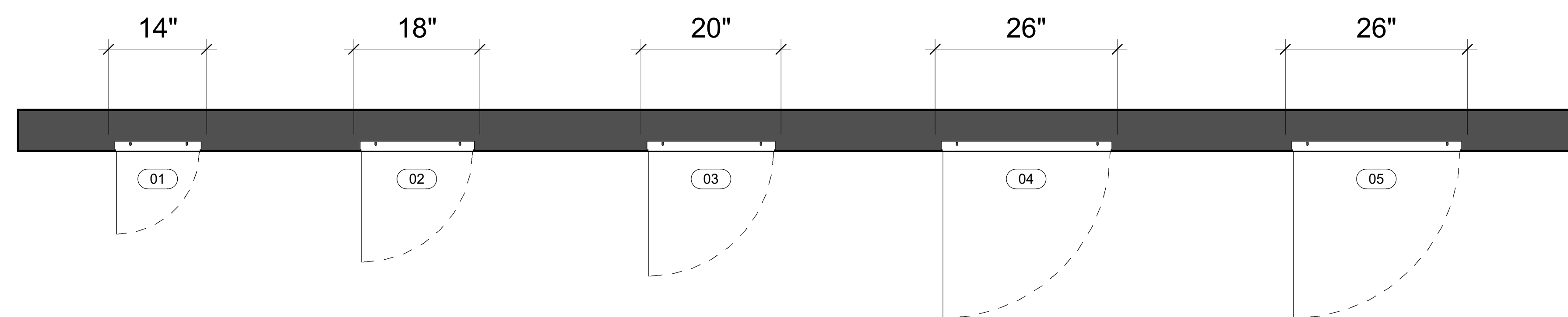


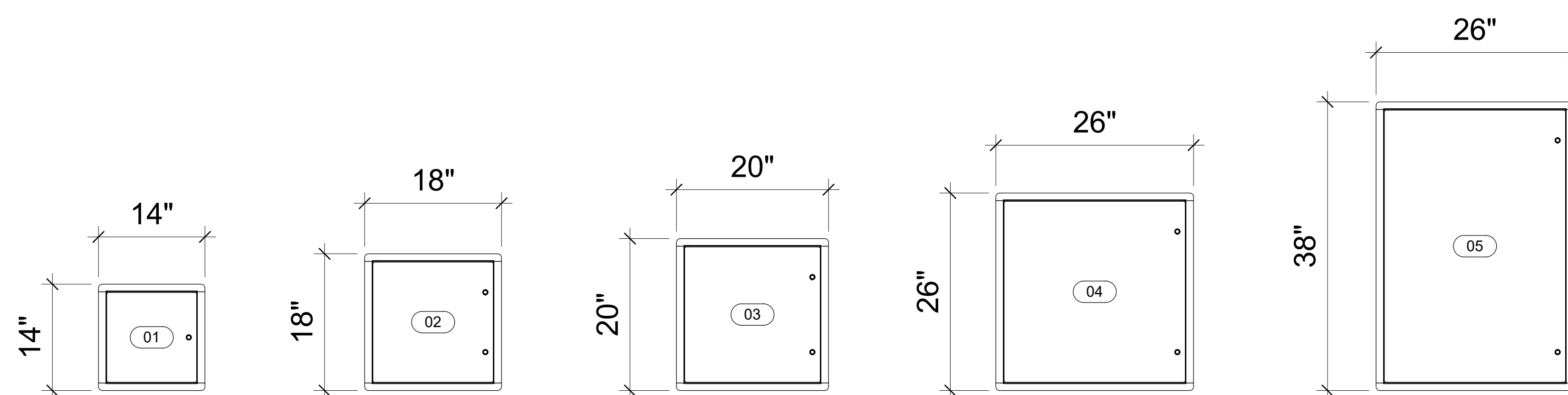
www.acudor.com



1 3D View



2 Level 1
1" = 1'-0"



3 Elevation 1
1" = 1'-0"

Door Schedule													
Type Mark	Manufacturer	Description	Model	Type	Width	Height	URL	Manufacturer URL	USA Manufacturer URL	USA Contact Number	Canada Manufacturer URL	Canada Contact Number	
Access_Door-ACUDOR_Anti_Ligature_AL-9500													
01	ACUDOR	ANTI-LIGATURE ACCESS DOOR	AL-9500-1212	AL-9500-1212	14.00	14.00	www.acudor.com	info@acudorintl.com	info@acudor.com	800-722-0501	info@acudor.ca	844-228-3671	
02	ACUDOR	ANTI-LIGATURE ACCESS DOOR	AL-9500-1616	AL-9500-1616	18.00	18.00	www.acudor.com	info@acudorintl.com	info@acudor.com	800-722-0501	info@acudor.ca	844-228-3671	
03	ACUDOR	ANTI-LIGATURE ACCESS DOOR	AL-9500-1818	AL-9500-1818	20.00	20.00	www.acudor.com	info@acudorintl.com	info@acudor.com	800-722-0501	info@acudor.ca	844-228-3671	
04	ACUDOR	ANTI-LIGATURE ACCESS DOOR	AL-9500-2424	AL-9500-2424	26.00	26.00	www.acudor.com	info@acudorintl.com	info@acudor.com	800-722-0501	info@acudor.ca	844-228-3671	
05	ACUDOR	ANTI-LIGATURE ACCESS DOOR	AL-9500-2436	AL-9500-2436	26.00	38.00	www.acudor.com	info@acudorintl.com	info@acudor.com	800-722-0501	info@acudor.ca	844-228-3671	

No.	Description	Date

Access Door-ACUDOR Anti Ligature AL-9500

3D View, Plan, Elev, & Schedule

Project Number 008
Date 06-18-2020

AL-9500

Scale 1" = 1'-0"

18/06/2020 3:27:38 AM