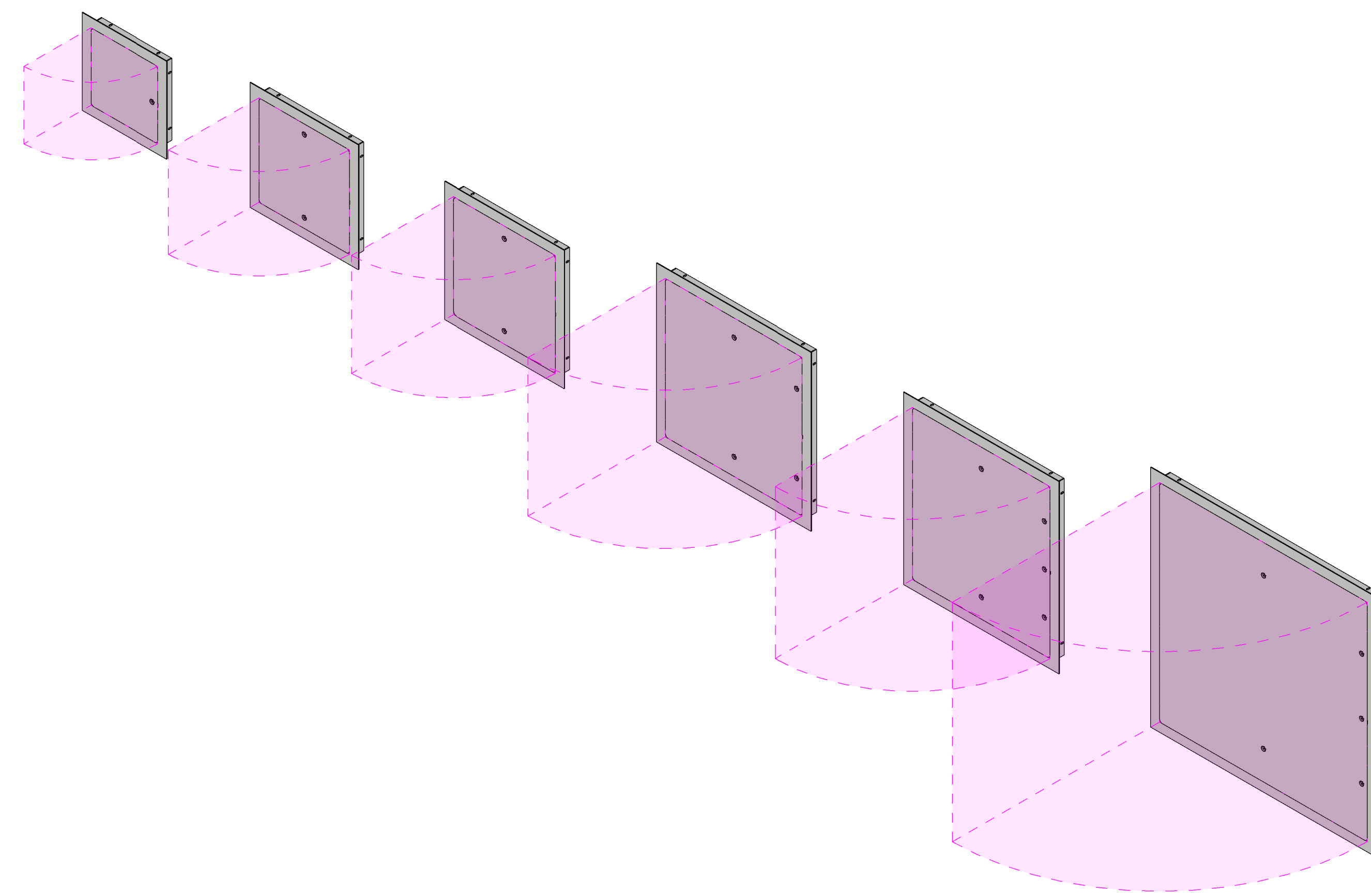
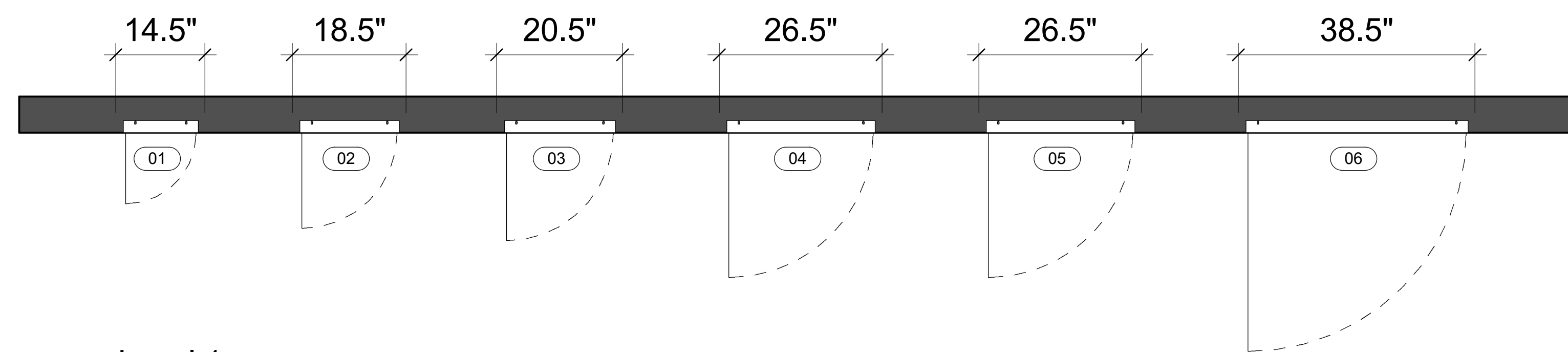




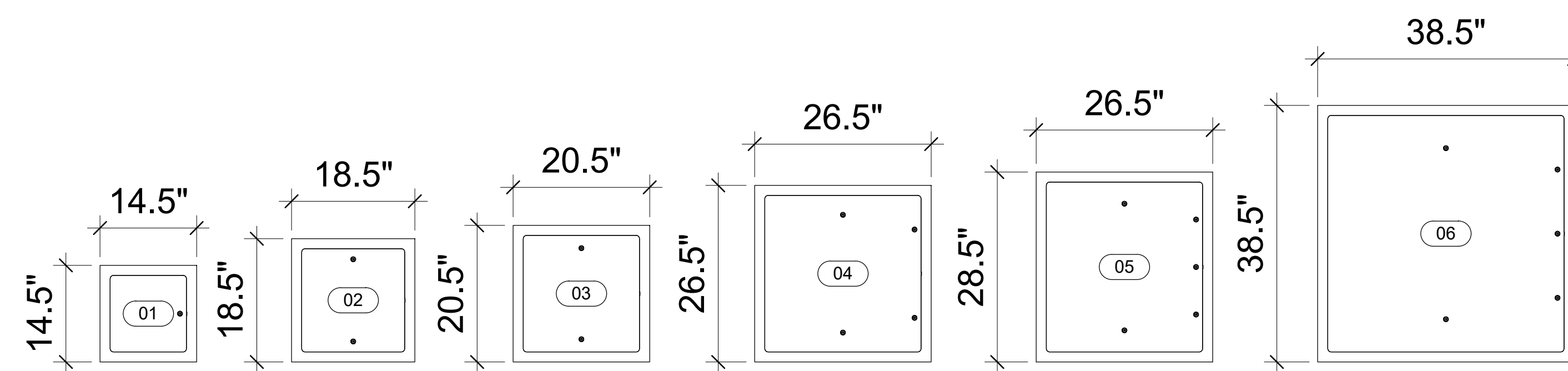
www.acudor.com



1 3D View



2 Level 1  
3/4" = 1'-0"



3 Elevation 2  
3/4" = 1'-0"

Door Schedule												
Type Mark	Manufacturer	Description	Model	Type	Width	Height	URL	Manufacturer URL	USA Manufacturer URL	USA Contact Number	Canada Manufacturer URL	Canada Contact Number
Access_Door_ACUDOR_Med-Security_MS-7000												
01	ACUDOR	MEDIUM SECURITY	MS-7000-1212	MS-7000-1212	14.50	14.50	www.acudor.com	info@acudorintl.com	info@acudor.com	800-722-0501	info@acudor.ca	844-228-3671
02	ACUDOR	MEDIUM SECURITY	MS-7000-1616	MS-7000-1616	18.50	18.50	www.acudor.com	info@acudorintl.com	info@acudor.com	800-722-0501	info@acudor.ca	844-228-3671
03	ACUDOR	MEDIUM SECURITY	MS-7000-1818	MS-7000-1818	20.50	20.50	www.acudor.com	info@acudorintl.com	info@acudor.com	800-722-0501	info@acudor.ca	844-228-3671
04	ACUDOR	MEDIUM SECURITY	MS-7000-2424	MS-7000-2424	26.50	26.50	www.acudor.com	info@acudorintl.com	info@acudor.com	800-722-0501	info@acudor.ca	844-228-3671
05	ACUDOR	MEDIUM SECURITY	MS-7000-2436	MS-7000-2436	26.50	28.50	www.acudor.com	info@acudorintl.com	info@acudor.com	800-722-0501	info@acudor.ca	844-228-3671
06	ACUDOR	MEDIUM SECURITY	MS-7000-3636	MS-7000-3636	38.50	38.50	www.acudor.com	info@acudorintl.com	info@acudor.com	800-722-0501	info@acudor.ca	844-228-3671

Access\_Door  
ACUDOR  
Med-Security  
MS-7000

3D View, Plan, Elev,  
& Schedule

Project Number 023

Date 06-30-2020

**MS-7000**

Scale 3/4" = 1'-0"