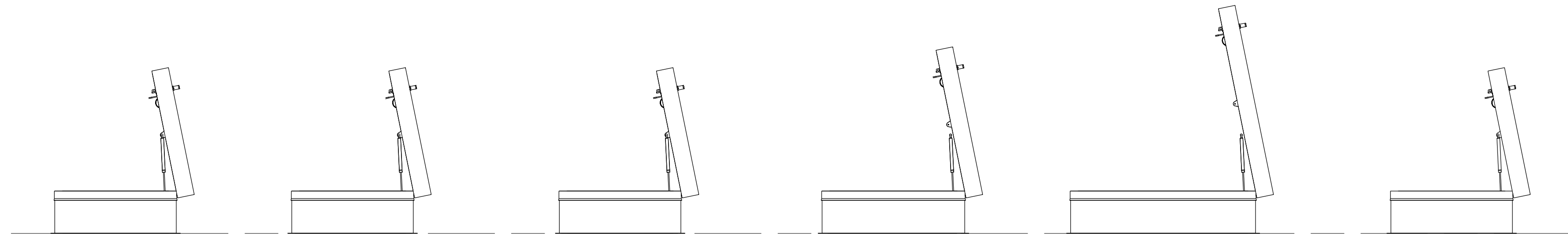
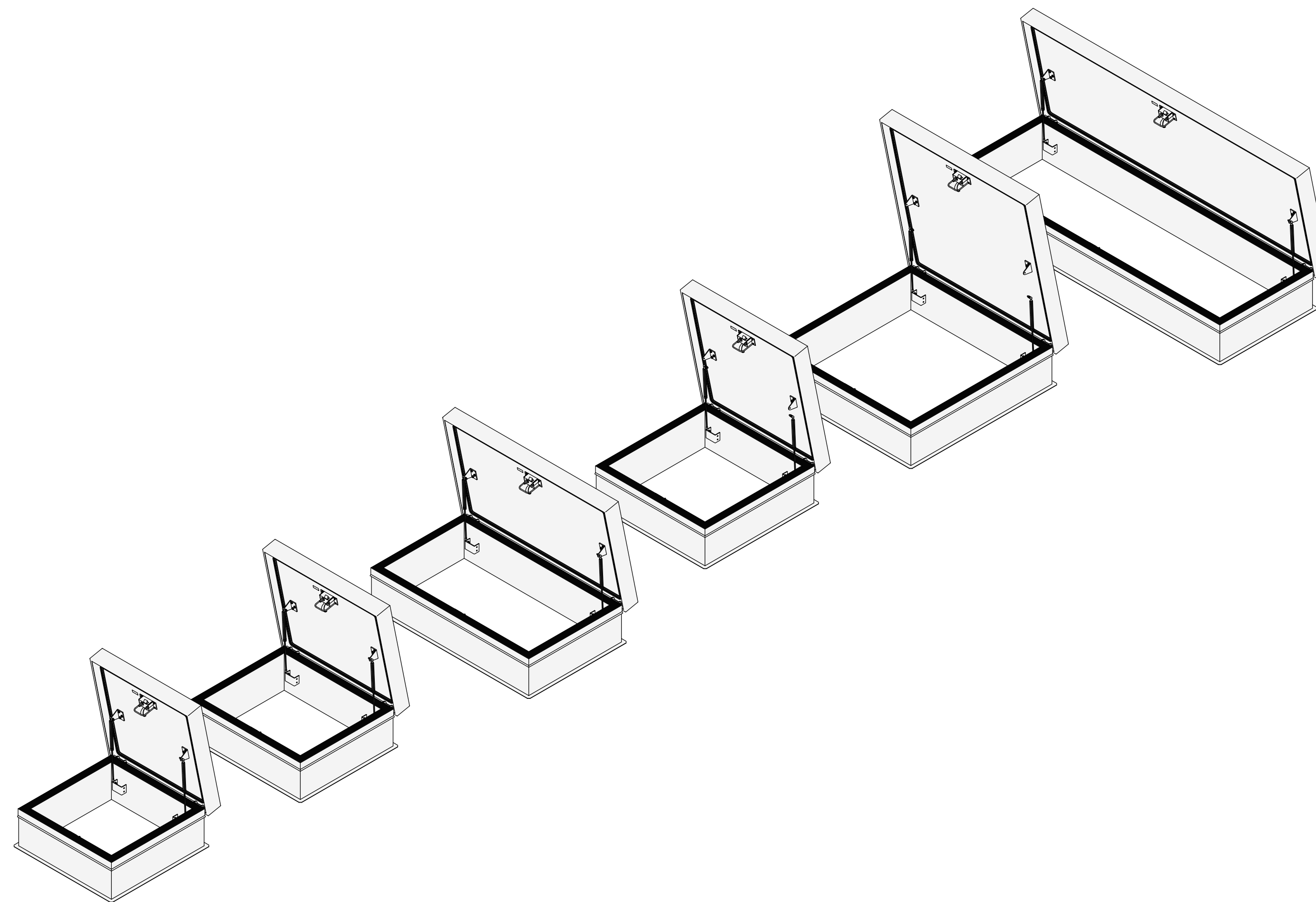


2 Level 1
1/2" = 1'-0"

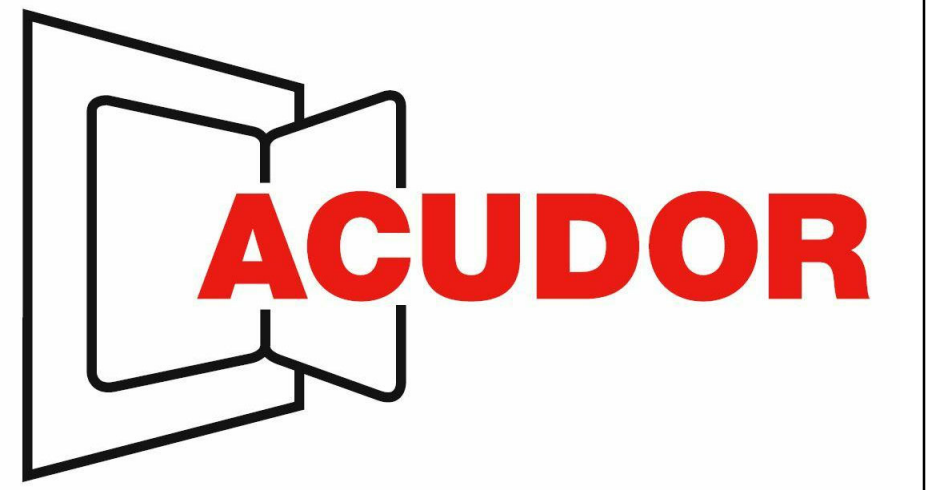


3 Elevation 1
1/2" = 1'-0"



1 3D View

Door Schedule													
Type Mark	Manufacturer	Description	Model	Type	Width	Height	Thickness	URL	Manufacturer URL	USA Manufacturer URL	USA Contact Number	Canada Manufacturer URL	Canada Contact Number
01	ACUDOR	THERMALLY BROKEN ROOF HATCH	T3838	T3838	30.000	30.000	12.000	www.acudor.com	info@acudorintl.com	info@acudor.com	800-722-0501	info@acudor.ca	844-228-3671
02	ACUDOR	THERMALLY BROKEN ROOF HATCH	T3844	T3844	30.000	36.000	12.000	www.acudor.com	info@acudorintl.com	info@acudor.com	800-722-0501	info@acudor.ca	844-228-3671
03	ACUDOR	THERMALLY BROKEN ROOF HATCH	T3862	T3862	30.000	54.000	12.000	www.acudor.com	info@acudorintl.com	info@acudor.com	800-722-0501	info@acudor.ca	844-228-3671
04	ACUDOR	THERMALLY BROKEN ROOF HATCH	T4444	T4444	36.000	36.000	12.000	www.acudor.com	info@acudorintl.com	info@acudor.com	800-722-0501	info@acudor.ca	844-228-3671
05	ACUDOR	THERMALLY BROKEN ROOF HATCH	T5656	T5656	48.000	48.000	12.000	www.acudor.com	info@acudorintl.com	info@acudor.com	800-722-0501	info@acudor.ca	844-228-3671
06	ACUDOR	THERMALLY BROKEN ROOF HATCH	T38104	T38104	30.000	96.000	12.000	www.acudor.com	info@acudorintl.com	info@acudor.com	800-722-0501	info@acudor.ca	844-228-3671



www.acudor.com

No.	Description	Date

Roof Hatch
ACUDOR
THERMALLY BROKEN

3D View, Plan, Elev, & Schedule

Project Number 011
Date 05-18-2021

THERMALLY BROKEN

Scale 1/2" = 1'-0"