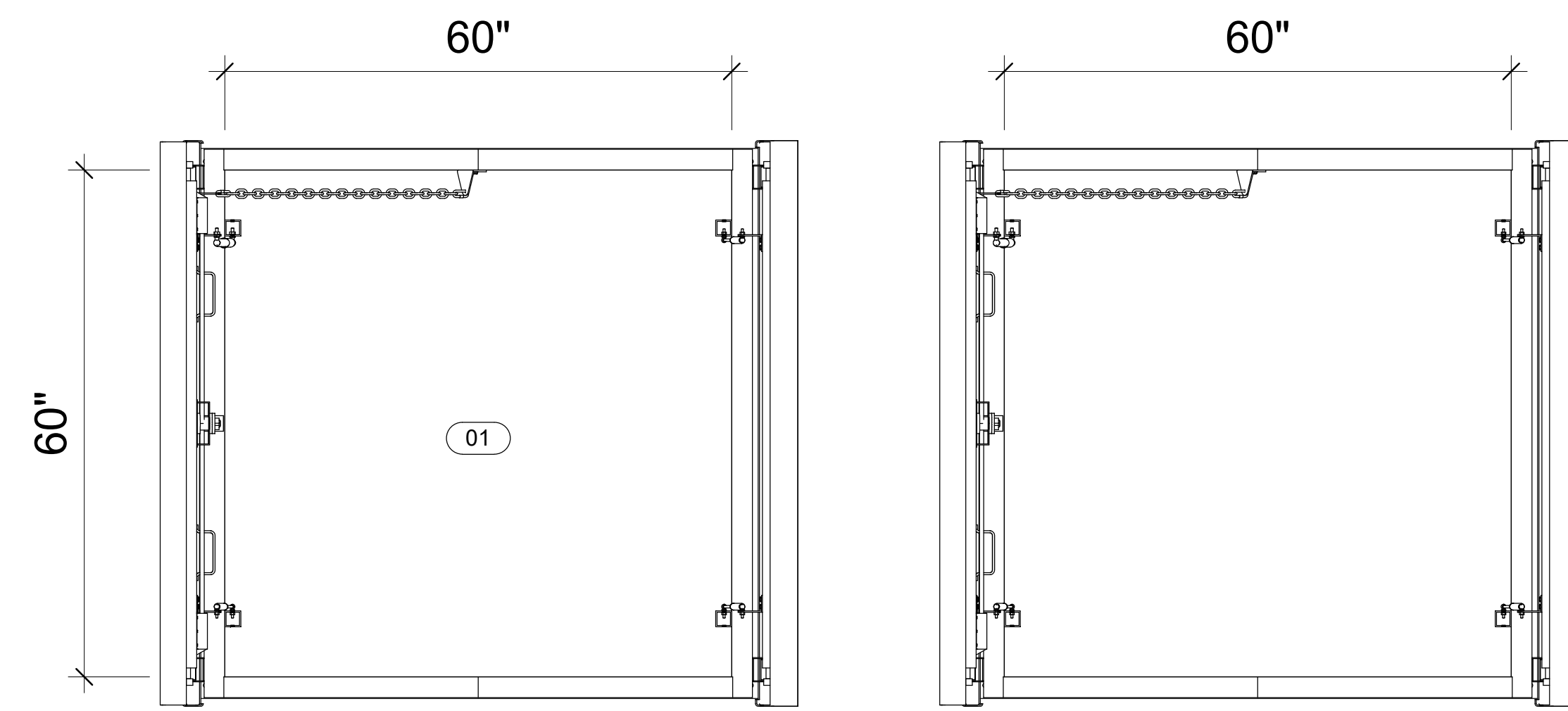
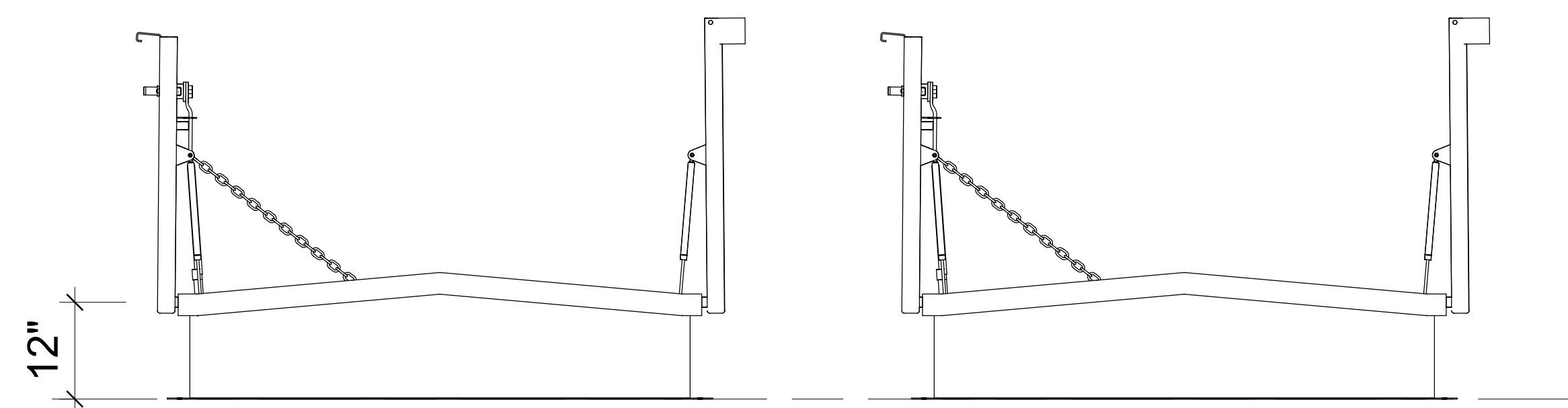


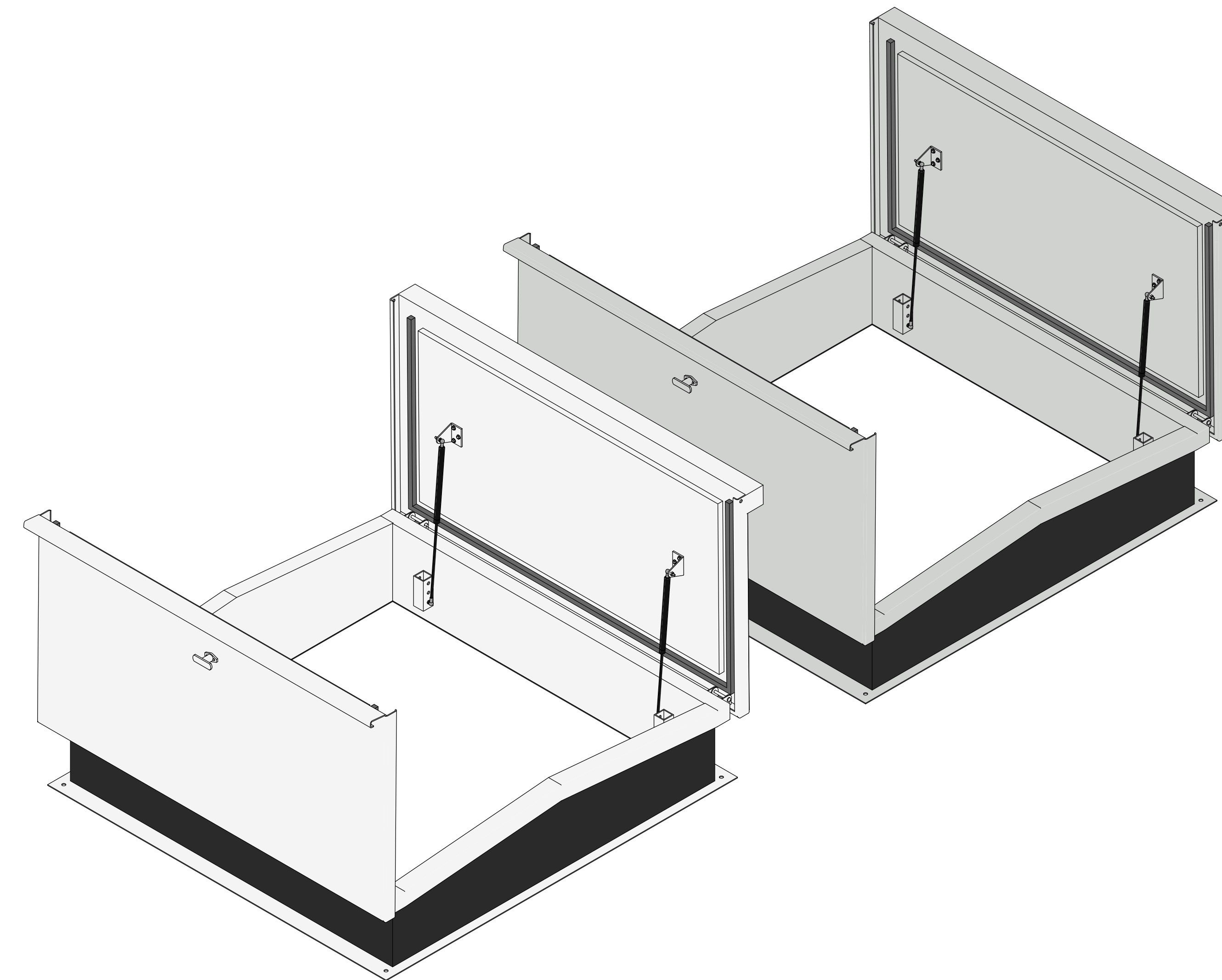
www.acudor.com



2 Level 1  
3/4" = 1'-0"



4 Elevation 2  
3/4" = 1'-0"



1 3D View

No.	Description	Date

Roof Hatch  
**ACUDOR**  
EQUIPMENT  
ACCESS DOUBLE  
LEAF

**3D View, Plan, Elev,  
& Schedule**

Project Number 003  
Date 05-18-2021  
**EQUIPMENT ACCESS  
DOUBLE LEAF**  
Scale 3/4" = 1'-0"

Door Schedule													
Type Mark	Manufacturer	Description	Model	Type	Width	Height	Thickness	URL	Manufacturer URL	USA Manufacturer URL	USA Contact Number	Canada Manufacturer URL	Canada Contact Number
01	ACUDOR	EQUIPMENT ACCESS DOUBLE LEAF ROOF HATCH	A6868	A6868	60.000	60.000	12.000	www.acudor.com	info@acudorintl.com	info@acudor.com	800-722-0501	info@acudor.ca	844-228-3671
02	ACUDOR	EQUIPMENT ACCESS DOUBLE LEAF ROOF HATCH	G6868	G6868	60.000	60.000	12.000	www.acudor.com	info@acudorintl.com	info@acudor.com	800-722-0501	info@acudor.ca	844-228-3671