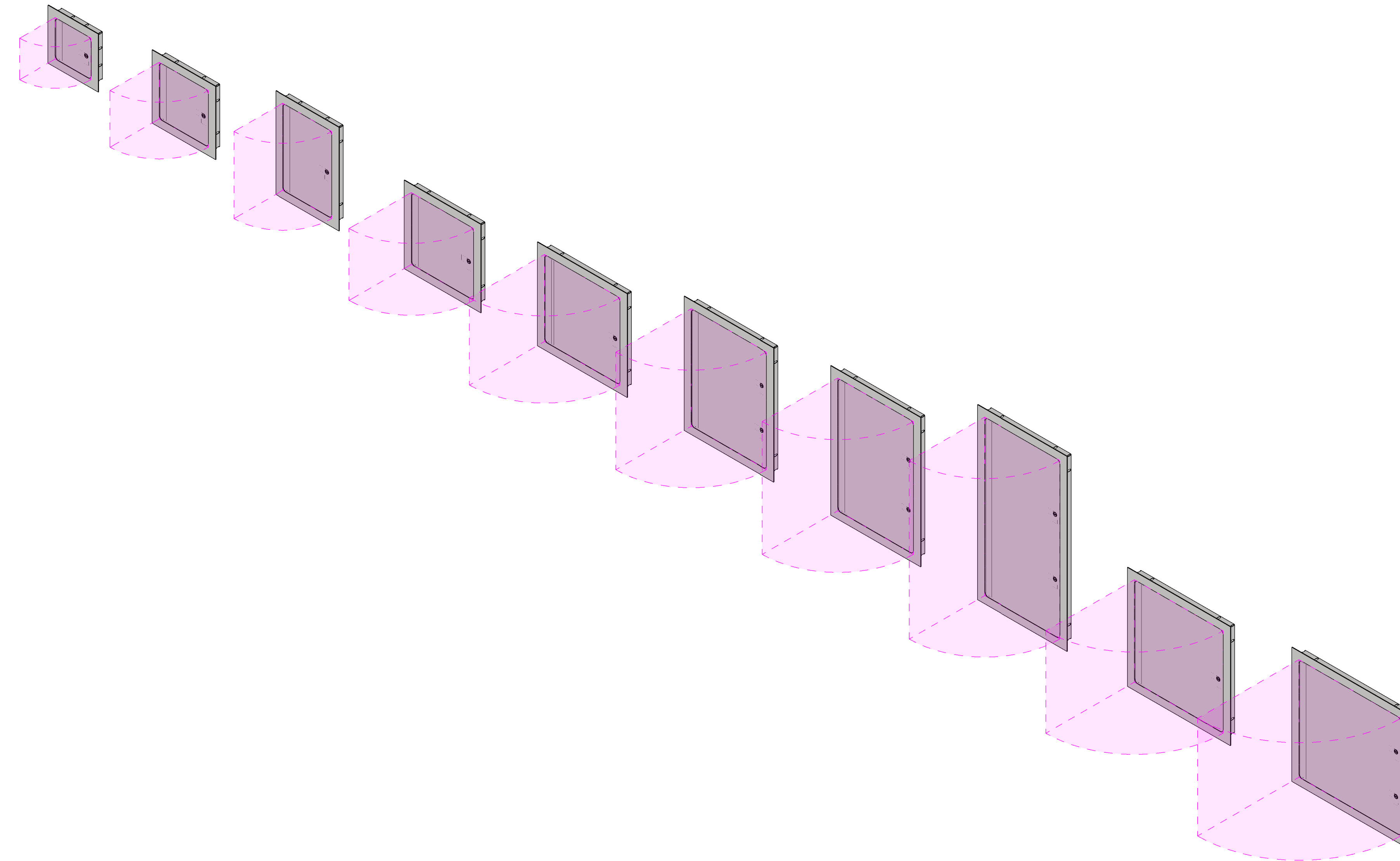
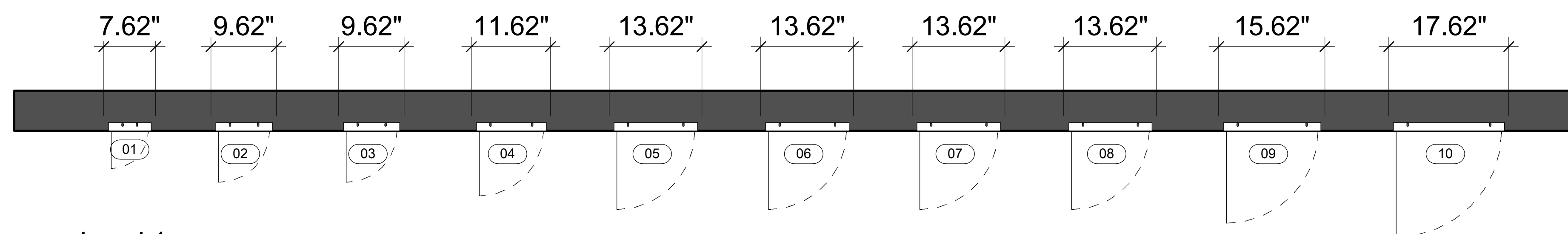




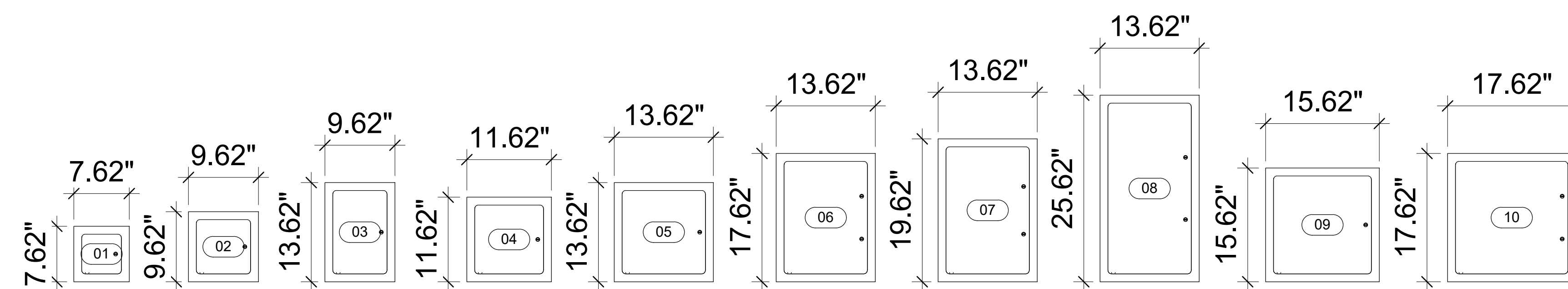
www.acudor.com



1 3D View



2 Level 1
1" = 1'-0"



3 Elevation 2
1" = 1'-0"

Door Schedule												
Type Mark	Manufacturer	Description	Model	Type	Width	Height	URL	Manufacturer URL	USA Manufacturer URL	USA Contact Number	Canada Manufacturer URL	Canada Contact Number
Access_Door_ACUDOR_Universal-Flush_UF-5000												
01	ACUDOR	UNIVERSAL-FLUSH	UF-5000-0606	UF-5000-0606	7.62	7.62	www.acudor.com	info@acudorintl.com	info@acudor.com	800-722-0501	info@acudor.ca	844-228-3671
02	ACUDOR	UNIVERSAL-FLUSH	UF-5000-0808	UF-5000-0808	9.62	9.62	www.acudor.com	info@acudorintl.com	info@acudor.com	800-722-0501	info@acudor.ca	844-228-3671
03	ACUDOR	UNIVERSAL-FLUSH	UF-5000-0812	UF-5000-0812	9.62	13.62	www.acudor.com	info@acudorintl.com	info@acudor.com	800-722-0501	info@acudor.ca	844-228-3671
04	ACUDOR	UNIVERSAL-FLUSH	UF-5000-1010	UF-5000-1010	11.62	11.62	www.acudor.com	info@acudorintl.com	info@acudor.com	800-722-0501	info@acudor.ca	844-228-3671
05	ACUDOR	UNIVERSAL-FLUSH	UF-5000-1212	UF-5000-1212	13.62	13.62	www.acudor.com	info@acudorintl.com	info@acudor.com	800-722-0501	info@acudor.ca	844-228-3671
06	ACUDOR	UNIVERSAL-FLUSH	UF-5000-1216	UF-5000-1216	13.62	17.62	www.acudor.com	info@acudorintl.com	info@acudor.com	800-722-0501	info@acudor.ca	844-228-3671
07	ACUDOR	UNIVERSAL-FLUSH	UF-5000-1218	UF-5000-1218	13.62	19.62	www.acudor.com	info@acudorintl.com	info@acudor.com	800-722-0501	info@acudor.ca	844-228-3671
08	ACUDOR	UNIVERSAL-FLUSH	UF-5000-1224	UF-5000-1224	13.62	25.62	www.acudor.com	info@acudorintl.com	info@acudor.com	800-722-0501	info@acudor.ca	844-228-3671
09	ACUDOR	UNIVERSAL-FLUSH	UF-5000-1414	UF-5000-1414	15.62	15.62	www.acudor.com	info@acudorintl.com	info@acudor.com	800-722-0501	info@acudor.ca	844-228-3671
10	ACUDOR	UNIVERSAL-FLUSH	UF-5000-1616	UF-5000-1616	17.62	17.62	www.acudor.com	info@acudorintl.com	info@acudor.com	800-722-0501	info@acudor.ca	844-228-3671

Access Door ACUDOR Universal-Flush UF-5000

3D View, Plan, Elev,
& Schedule

Project Number 021

Date 06-29-2020

UF-5000

Scale 1" = 1'-0"