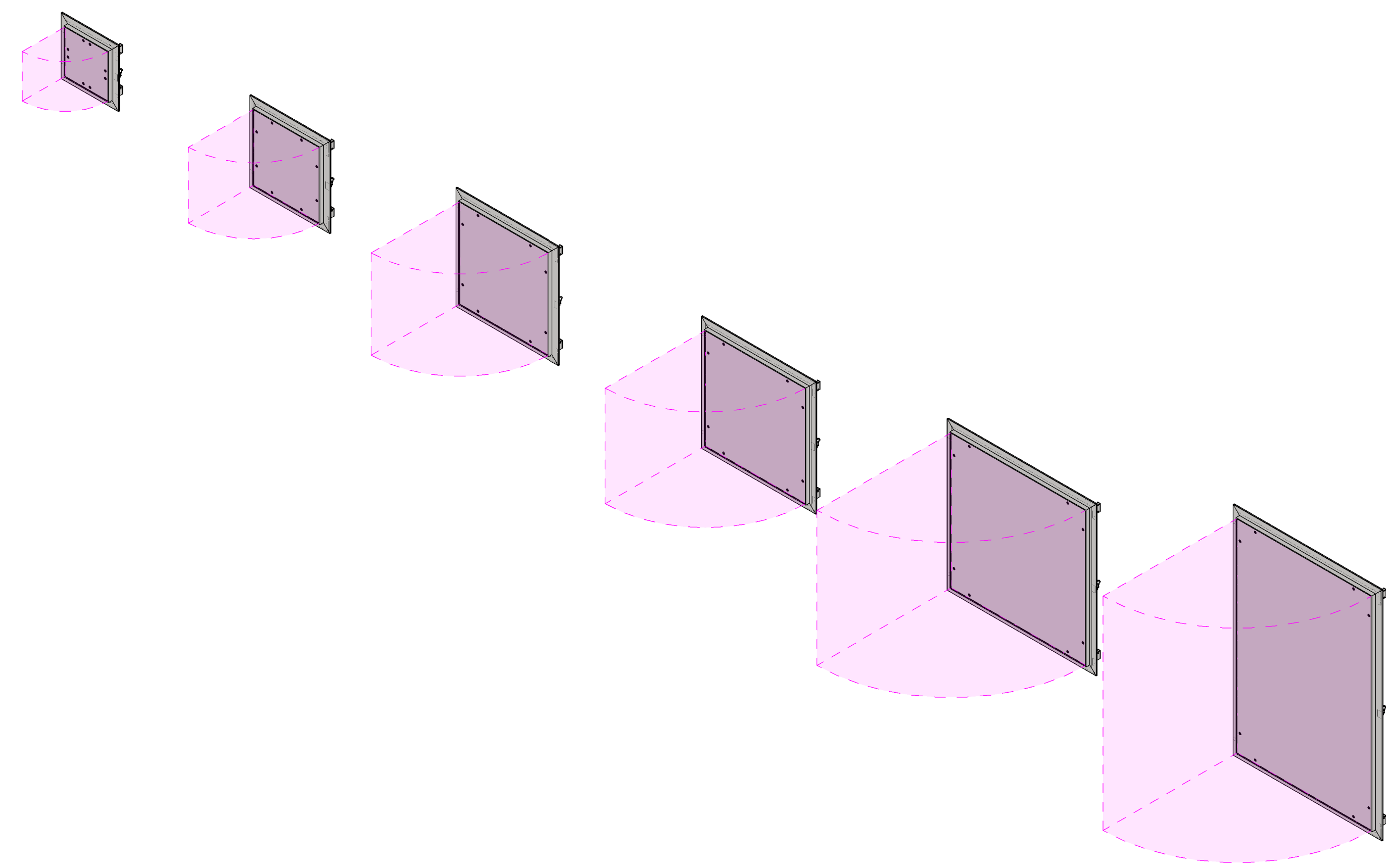
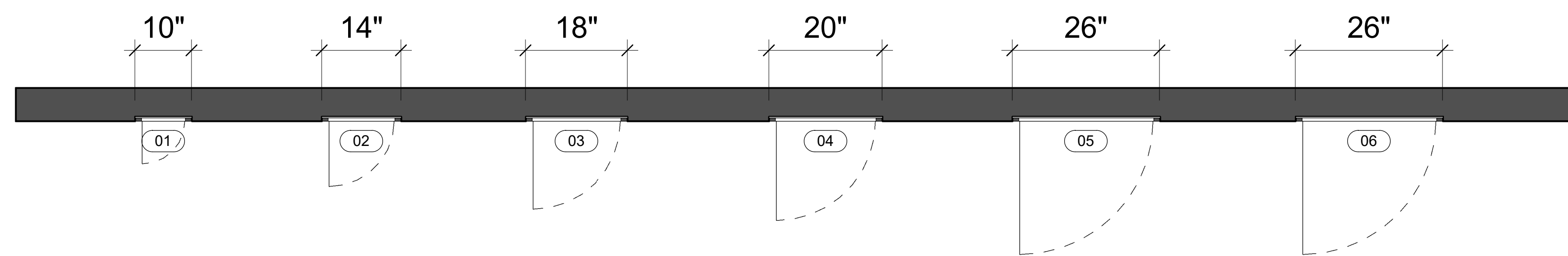




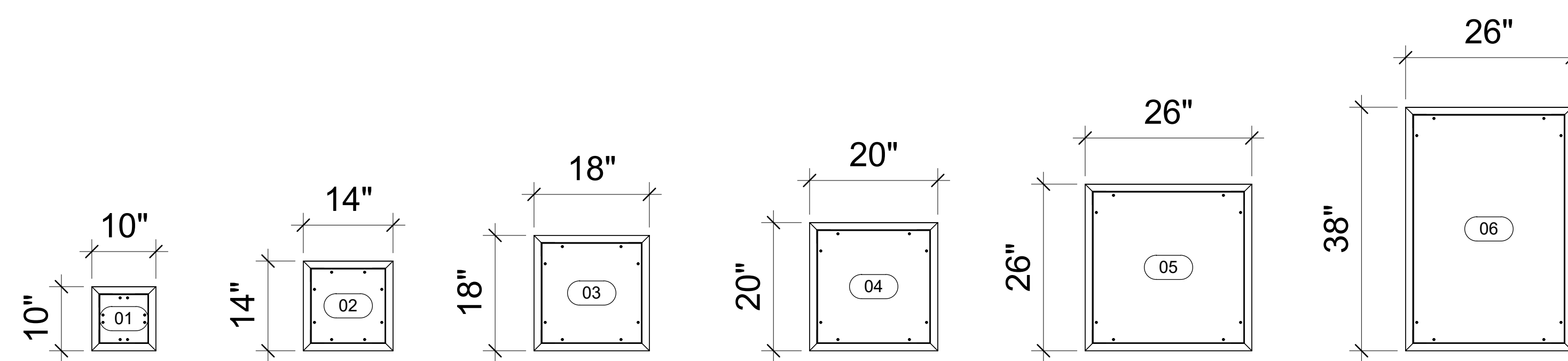
www.acudor.com



1 3D View



2 Level 1
3/4" = 1'-0"



3 Elevation 2
3/4" = 1'-0"

Door Schedule												
Type Mark	Manufacturer	Description	Model	Type	Width	Height	URL	Manufacturer URL	USA Manufacturer URL	USA Contact Number	Canada Manufacturer URL	Canada Contact Number
Access_Door_Acudor_Recessed_DW-5058												
01	ACUDOR	RECESSED WITH DRYWALL	DW-5058-0808	DW-5058-0808	10.00	10.00	www.acudor.com	info@acudorintl.com	info@acudor.com	800-722-0501	info@acudor.ca	844-228-3671
02	ACUDOR	RECESSED WITH DRYWALL	DW-5058-1212	DW-5058-1212	14.00	14.00	www.acudor.com	info@acudorintl.com	info@acudor.com	800-722-0501	info@acudor.ca	844-228-3671
03	ACUDOR	RECESSED WITH DRYWALL	DW-5058-1616	DW-5058-1616	18.00	18.00	www.acudor.com	info@acudorintl.com	info@acudor.com	800-722-0501	info@acudor.ca	844-228-3671
04	ACUDOR	RECESSED WITH DRYWALL	DW-5058-1818	DW-5058-1818	20.00	20.00	www.acudor.com	info@acudorintl.com	info@acudor.com	800-722-0501	info@acudor.ca	844-228-3671
05	ACUDOR	RECESSED WITH DRYWALL	DW-5058-2424	DW-5058-2424	26.00	26.00	www.acudor.com	info@acudorintl.com	info@acudor.com	800-722-0501	info@acudor.ca	844-228-3671
06	ACUDOR	RECESSED WITH DRYWALL	DW-5058-2436	DW-5058-2436	26.00	38.00	www.acudor.com	info@acudorintl.com	info@acudor.com	800-722-0501	info@acudor.ca	844-228-3671

Access Door Acudor Recessed DW-5058

3D View, Plan, Elev,
& Schedule

Project Number 016

Date 06-21-2020

DW-5058

Scale 3/4" = 1'-0"