

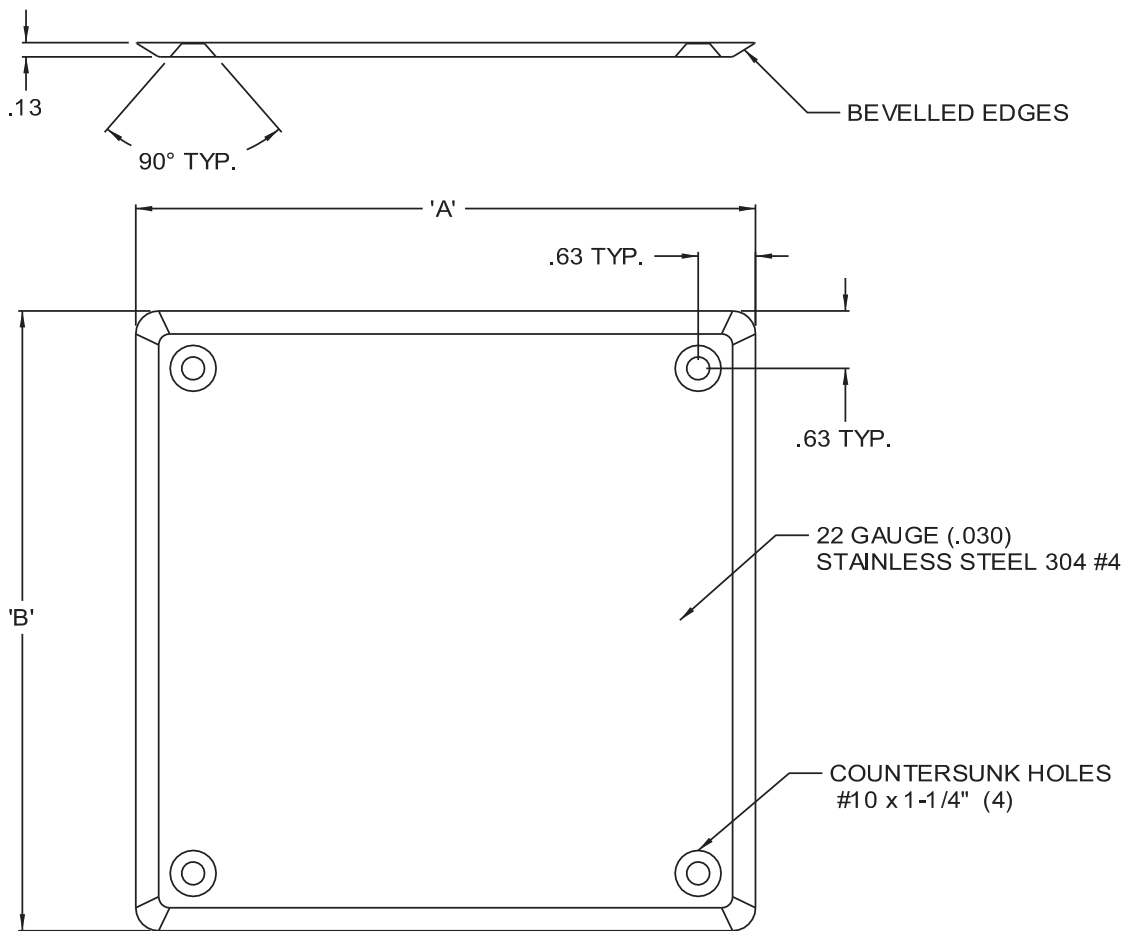


www.acudor.com  
 U.S.A: info@acudor.com / 800.722.0501  
 CANADA: info@acudor.ca / 844.228.3671  
 INTERNATIONAL: info@acudorintl.com  
 (905) 428.2240

# UCSS

## UNIVERSAL COVER

QTY.	NOMINAL SIZE	WALL OPENING SIZE	A	B	WEIGHT PER COVER
	6 X 6 (152 x 152)	4 X 4 (102 X 102)	6 (152)	6 (152)	.31 lbs / .14 kg
	8 X 8 (203 x 203)	6X 6 (152 X 152)	8 (203)	8 (203)	.55 lbs / .25 kg
	10 X 10 (254 x 254)	8X 8 (203 X 203)	10 (254)	10 (254)	.87 lbs / .39 kg
	12 X 12 (305 x 305)	10X 10 (254 X 254)	12 (305)	12 (305)	1.25 lbs / .57 kg
	14 X 14 (356 x 356)	12X 12 (305 X 305)	14 (356)	14 (356)	1.71 lbs / .77 kg
	16 X 16 (406 x 406)	14 X 14 (356 X 356)	16 (406)	16 (406)	2.24 lbs / 1.01 kg
	18 X 18 (457 x 457)	16 X 16 (406 X 406)	18 (457)	18 (457)	2.81 lbs / 1.27 kg
	24 X 24 (610 x 610)	22 X 22 (559 X 559)	24 (610)	24 (610)	5.04 lbs / 2.28 kg



**STANDARD FEATURES:** 22 GAUGE STAINLESS STEEL 304 #4  
 SQUARE SHAPED BEVELLED EDGES  
 COUNTERSUNK HOLES  
 INSTALLATION SCREWS 4 PIECE STAINLESS STEEL #10 x 1-1/4" OVAL HEAD

JOB NAME:

APPROVED BY:

CUSTOMER:

DATE: