

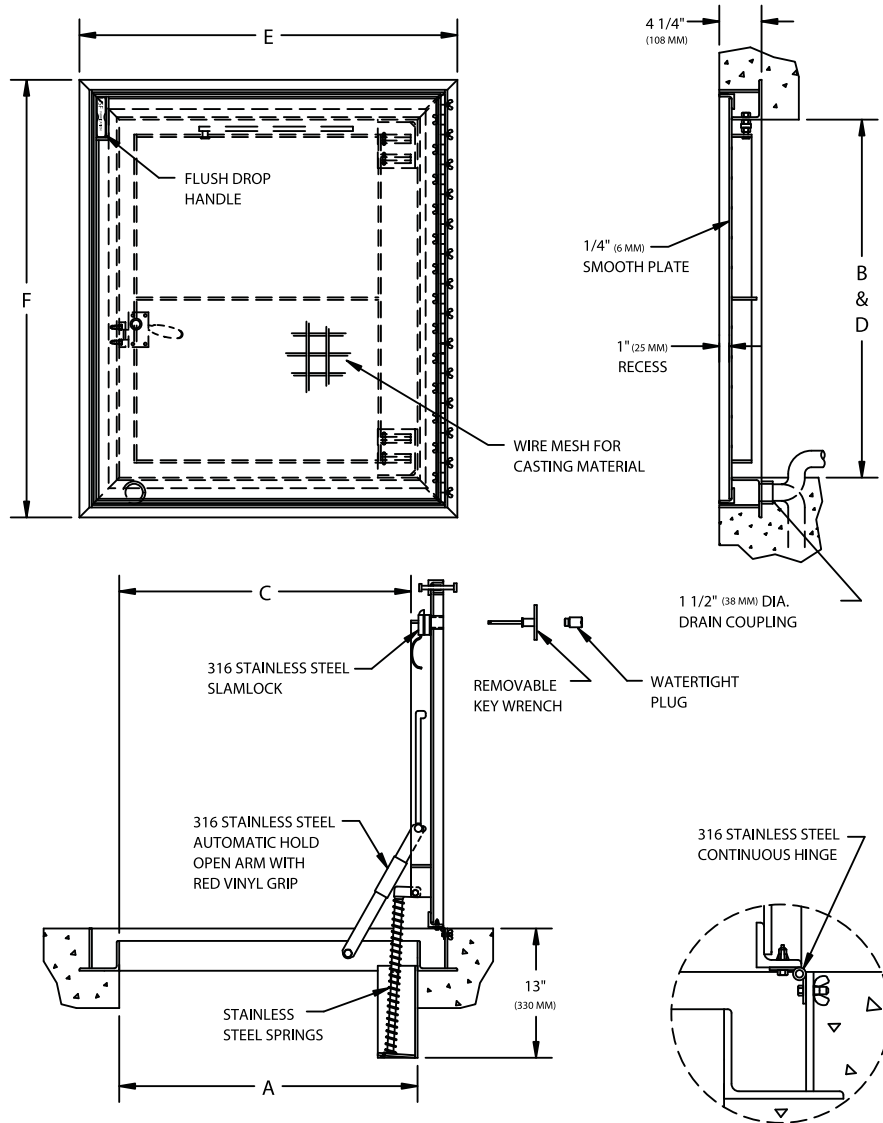


www.acudor.com  
 U.S.A.: info@acudor.com / 800.722.0501  
 CANADA: info@acudor.ca / 844.228.3671  
 INTERNATIONAL: info@acudorintl.com  
 905.428.2240

# FT-8050

## 1" RECESSED FOR CERAMIC TILE/ CONCRETE FLOOR DOOR - SINGLE LEAF

NOMINAL DOOR SIZE	FRAME OPENING		CLEAR OPENING		OVERALL SIZE		WEIGHT
in. (mm)	A in. (mm)	B in. (mm)	C in. (mm)	D in. (mm)	E in. (mm)	F in. (mm)	LBS. (KG)
24 x 24 (610 x 610)	24 (610)	24 (610)	23 (584)	24 (610)	32 (813)	32 (813)	70 (32)
24 x 30 (610 x 762)	24 (610)	30 (762)	23 (584)	30 (762)	32 (813)	38 (965)	80 (37)
24 x 36 (610 x 914)	24 (610)	36 (914)	23 (584)	36 (914)	32 (813)	44 (1118)	90 (41)
30 x 30 (762 x 762)	30 (762)	30 (762)	28 (711)	30 (762)	38 (965)	38 (965)	110 (50)
30 x 36 (762 x 914)	30 (762)	36 (762)	28 (711)	36 (762)	38 (965)	44 (1118)	100 (45)
36 x 36 (914 x 914)	36 (914)	36 (762)	34 (864)	36 (762)	44 (1118)	44 (1118)	115 (52)
42 x 42 (1067 x 1067)	42 (1067)	42 (1067)	40 (1016)	42 (1067)	50 (1270)	50 (1270)	140 (64)



**NOTE:**  
 -MATERIAL: ALUMINUM WITH SPRINGS,  
 316 STAINLESS STEEL NUTS & BOLTS,  
 SLAMLOCK, HINGES & HOLD OPEN ARM.  
 -LOADING: 300 LBS. PER SQ. FOOT.  
 (1464 KG. PER SQ. M)  
 -BITUMINOUS COATING IS APPLIED TO AREA  
 OF FRAME IN CONTACT WITH CONCRETE.

JOB NAME:  
 CUSTOMER:

APPROVED BY:  
 DATE:

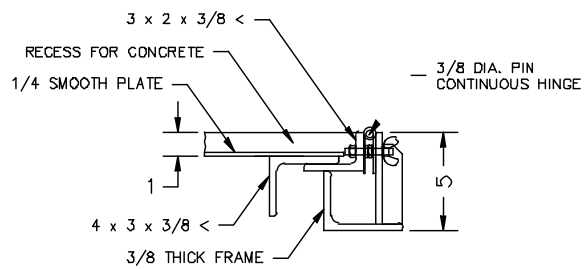
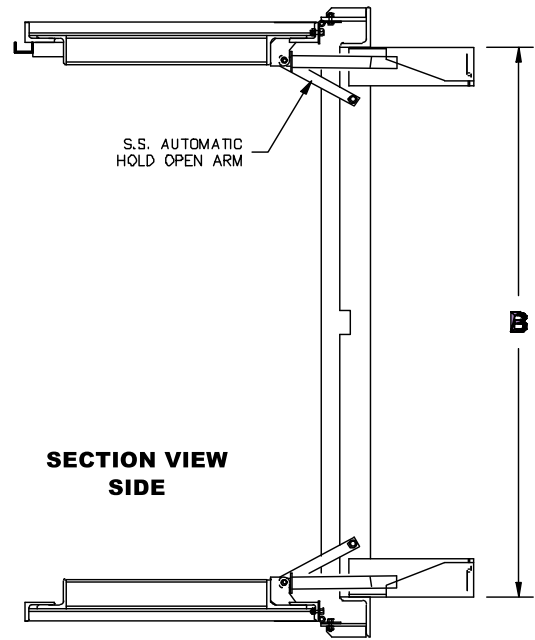
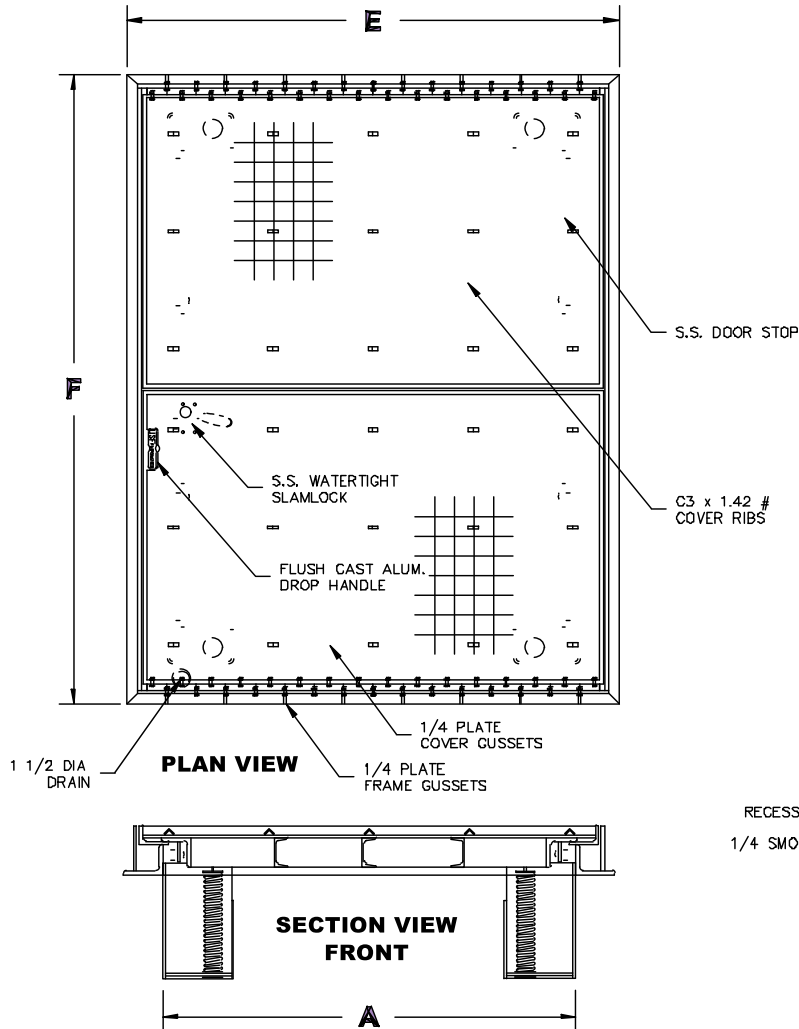


www.acudor.com  
**U.S.A.:** info@acudor.com / 800.722.0501  
**CANADA:** info@acudor.ca / 844.228.3671  
**INTERNATIONAL:** info@acudorintl.com  
 905.428.2240

# FT-8050

## 1" RECESSED FOR CERAMIC TILE/ CONCRETE FLOOR DOOR - DOUBLE LEAF

NOMINAL DOOR SIZE	FRAME OPENING		CLEAR OPENING		OVERALL SIZE		WEIGHT
in. (mm)	A in. (mm)	B in. (mm)	C in. (mm)	D in. (mm)	E in. (mm)	F in. (mm)	LBS. (KG)
48 x 48 (1220 x 1220)	48 (1220)	48 (1220)	47 (1193)	48 (1220)	56 (1422)	56 (1422)	195 (89)
48 x 72 (1220 x 1829)	48 (1220)	72 (1828)	47 (1193)	72 (1828)	56 (1422)	80 (2032)	265 (120)
60 x 60 (1524 x 1524)	60 (1524)	60 (1524)	59 (1498)	60 (1524)	68 (1727)	68 (1727)	275 (125)



- NOTES:
1. MATERIAL: ALUMINUM
  2. LOADING: 300 LBS. PER SQ. FT.
  3. 316 STAINLESS STEEL BOLTS HINGES AND HOLD OPEN ARM

JOB NAME:  
 CUSTOMER:

APPROVED BY:  
 DATE: