



ACUDOR

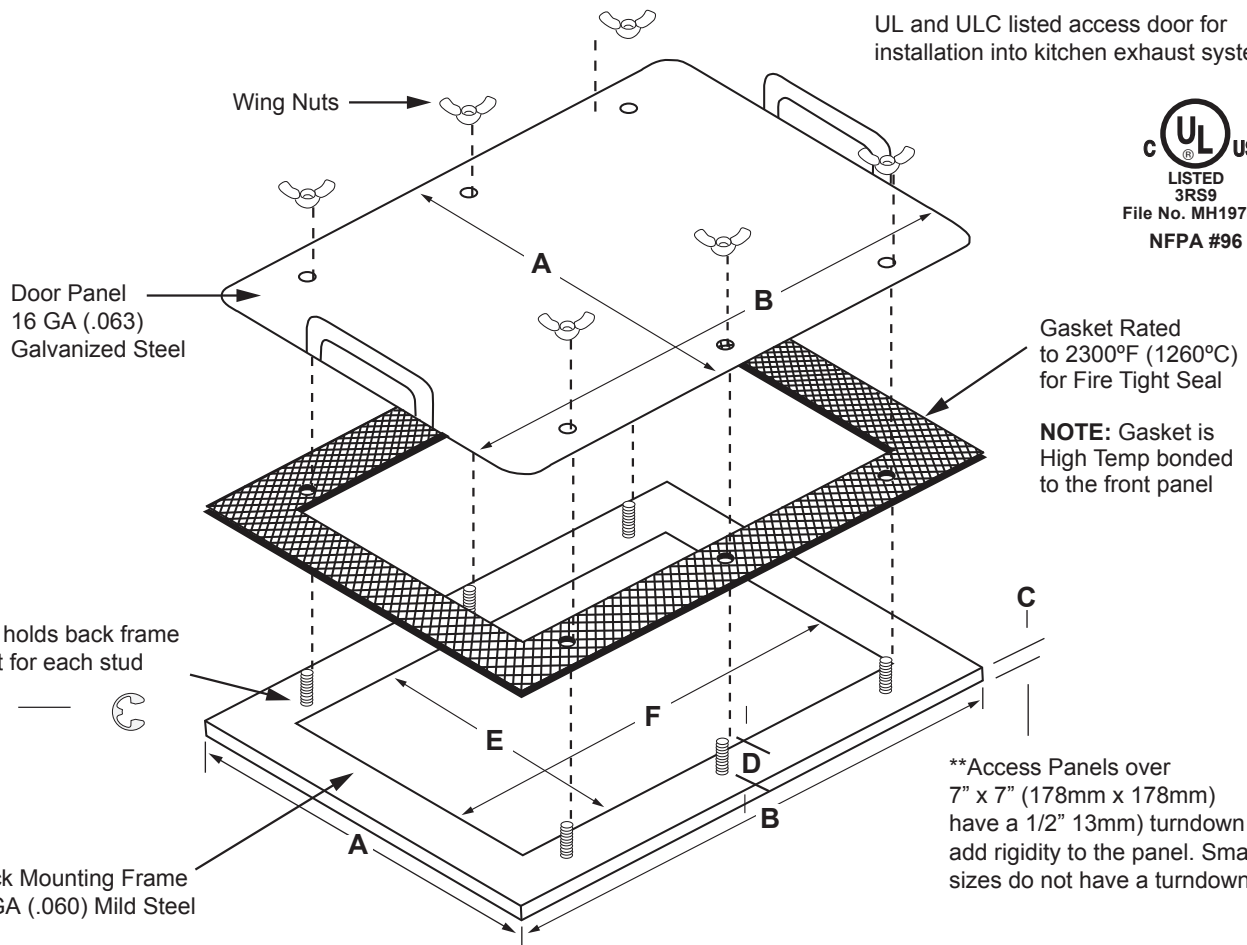
www.acudor.com
 U.S.A.: info@acudor.com / 800.722.0501
 CANADA: info@acudor.ca / 844.228.3671
 INTERNATIONAL: info@acudorintl.com
 (905) 428 2240

GDD

GREASE DUCT ACCESS DOOR

QTY	MODEL NO.	PANEL OUTSIDE DIMENSION		PANEL HEIGHT	STUD HEIGHT	HOLE SIZE Inches (mm)		MTG STUDS (NUTS)
		A	B	C	D	E	F	
	FGGD0707	10" (254mm)	10" (254mm)	.5" (13mm)	1" (25mm)	7" (178mm)	7" (178mm)	4
	FGGD0712	10" (254mm)	15" (381mm)	.5" (13mm)	1" (25mm)	7" (178mm)	12" (305mm)	6
	FGGD0720	10" (254mm)	23" (584mm)	.5" (13mm)	1" (25mm)	7" (178mm)	20" (508mm)	10
	FGGD1212	15" (381mm)	15" (381mm)	.5" (13mm)	1" (25mm)	12" (305mm)	12" (305mm)	8
	FGGD1220	15" (381mm)	23" (584mm)	.5" (13mm)	1" (25mm)	12" (305mm)	20" (508mm)	14
	FGGD1620	19" (483mm)	23" (584mm)	.5" (13mm)	1" (25mm)	16" (406mm)	20" (508mm)	16
	FGGD2020	23" (584mm)	23" (584mm)	.5" (13mm)	1" (25mm)	20" (508mm)	20" (508mm)	16

UL and ULC listed access door for installation into kitchen exhaust system



STANDARD FEATURES:

REMOVABLE DOOR PANEL WITH HIGH TEMPERATURE RESISTANT GASKET, GALVANIZED STEEL MILL FINISH, MOUNTING FRAME WITH STUDS AND WINGNUTS, MILD STEEL MILL FINISH

JOB NAME:

APPROVED BY:

CUSTOMER:

DATE: