

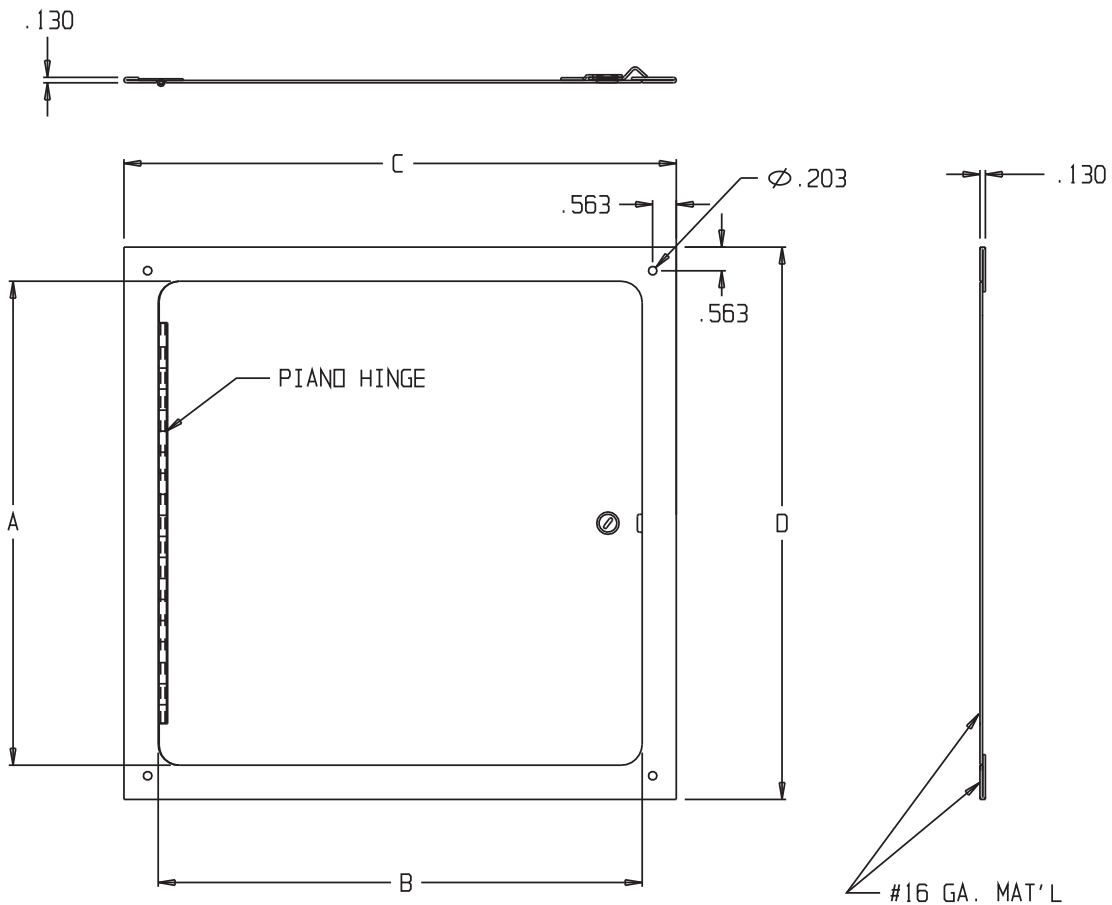


www.acudor.com
 U.S.A.: info@acudor.com / 800.722.0501
 CANADA: info@acudor.ca / 844.228.3671
 INTERNATIONAL: info@acudorintl.com
 (905) 428.2240

SF-2000

SURFACE MOUNTED

| QTY. | NOMINAL SIZE | A | B | C | D | WALL / CEILING OPENING | LOCK |
|------|---------------------|-------------|-------------|--------------|--------------|-------------------------|------|
| | 8 x 8 (203 x 203) | 7.50 (190) | 7.50 (190) | 9.125 (232) | 9.125 (232) | 7.5 x 7.5 (191 x 191) | 1 |
| | 12 x 12 (305 x 305) | 11.50 (292) | 11.50 (292) | 13.125 (333) | 13.125 (333) | 11.5 x 11.5 (292 x 292) | 1 |
| | 16 x 16 (406 x 406) | 15.50 (394) | 15.50 (394) | 17.125 (435) | 17.125 (435) | 15.5 x 15.5 (394 x 394) | 2 |
| | 18 x 18 (457 x 457) | 17.50 (445) | 17.50 (445) | 19.125 (486) | 19.125 (486) | 17.5 x 17.5 (444 x 444) | 2 |
| | 24 x 24 (610 x 610) | 23.50 (597) | 23.50 (597) | 25.125 (638) | 25.125 (638) | 23.5 x 23.5 (597 x 597) | 4 |
| | | | | | | | |



STANDARD FEATURES: STAINLESS STEEL SCREW DRIVER OPERATED CAM LATCH,
 CARBON STEEL, PRIME COAT BAKED ENAMEL FINISH

OPTIONS:

- LOCK TYPE**
- CYLINDER LOCK & KEY
 - ALLEN HEAD CAM LATCH
 - SPANNER HEAD CAM LATCH
 - OTHER

- MATERIAL**
- STAINLESS STEEL
 - OTHER

- FINISH**
- #4 SATIN POLISH
 - OTHER

JOB NAME:

APPROVED BY:

CUSTOMER:

DATE: