



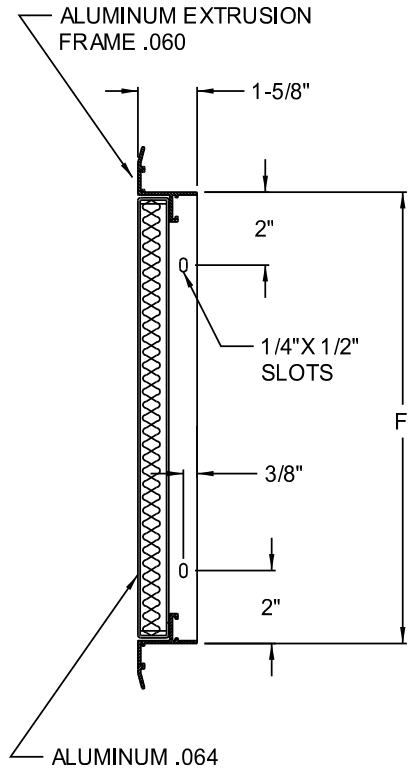
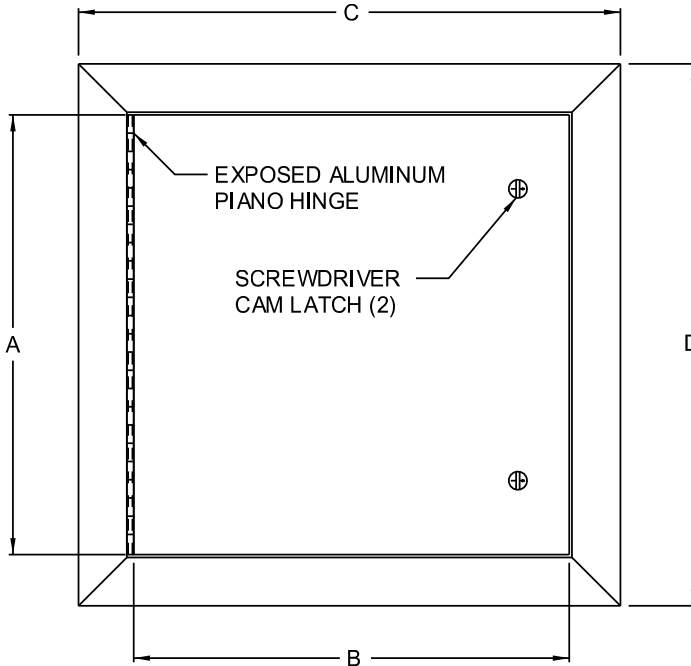
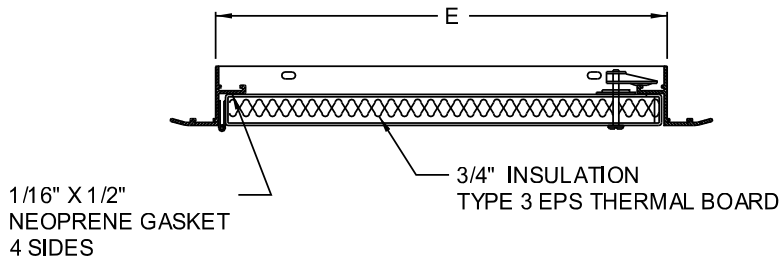
www.acudor.com
 U.S.A.: info@acudor.com / 800.722.0501
 CANADA: info@acudor.ca / 844.228.3671
 INTERNATIONAL: info@acudorintl.com
 (905) 428.2240

LT-4000

PIANO HINGE

LIGHT WEIGHT ALUMINUM

QTY.	NOMINAL SIZE	A	B	C	D	E	F	LOCK
	30 x 30 (762 x 762)	30.062 (764)	30.000 (762)	32.855 (835)	32.855 (835)	30.375 (772)	30.375 (772)	2
	36 x 36 (914 x 914)	36.062 (916)	36.000 (914)	38.855 (987)	38.855 (987)	36.375 (924)	36.375 (924)	2
	36 x 48 (914 x 1210)	48.062 (1221)	36.000 (914)	38.855 (987)	50.855 (1292)	36.375 (924)	48.375 (1229)	2



STANDARD FEATURES: SCREWDRIVER OPERATED CAM LATCH, ALUMINUM DOOR AND FRAME, MILL FINISH
 1/16" X 1/2" NEOPRENE GASKET

OPTIONS:

- LOCK TYPE**
- CYLINDER LOCK & KEY
 - SPANNER HEAD CAM LATCH
 - OTHER

- MATERIAL**
- OTHER

- FINISH**
- OTHER

JOB NAME:
 CUSTOMER:

APPROVED BY:
 DATE: