

RGS SAFETY RAILS

SAFETY ACCESSORIES Roof Hatch Rail System

Safety First

Caution is the key when working in high elevations and that is where most roof and ceiling access is found. Acudor Safety Rails are designed for all Roof Hatch applications to assist in making every work space as safe as possible.

Features

- Railing system surrounds all sides of the opening
- (Self Closing Gate) Spring tension gate keeps the opening closed after pass through
- Easy to install
- Assembled on site, no special tools necessary
- Safe, easy and economic access
- Standard Finish is Safety Yellow Painted, also available in Galvanized finish

Components

Material: Steel ASTM A36

Rails: Steel ASTM A36

Joiners: Steel ASTM A36

Rail Width: Various lengths to fit the multiple sizes of openings

Weight: Standard rail lengths range from 8lbs. to 11lbs.

Compliance

- Designs complying OSHA standards
- Other specifications available

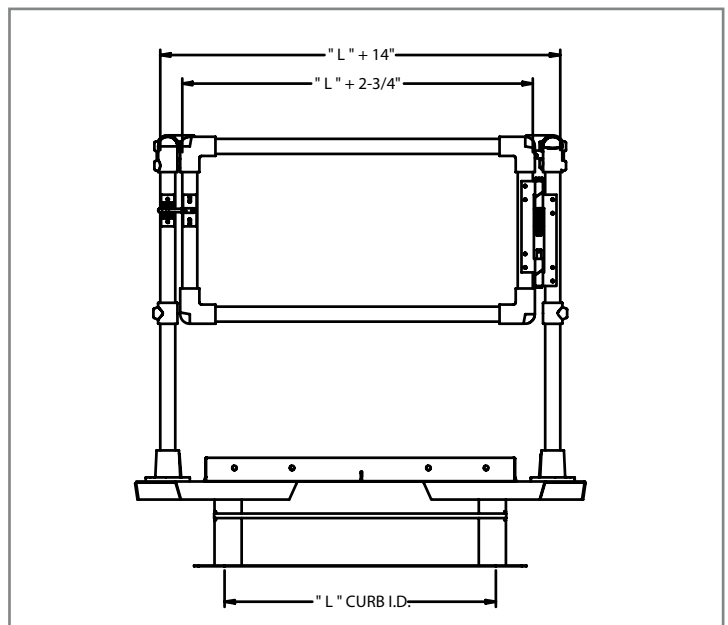
RAIL SYSTEM STANDARD SIZES

(other sizes available upon request)

Nominal Opening W&H		Weight per System Kit	
inches	mm	lbs.	kg.
24 x 24	610 x 610	60	27.2
24 x 30	610 x 762	70	31.8
24 x 36	610 x 914	75	34
30 x 30	762 x 762	80	36.4
30 x 36	762 x 914	90	41
42 x 42	1067 x 1067	125	56.8
48 x 48	1220 x 1220	155	70.4
48 x 72	1220 x 1829	210	95.3
60 x 60	1524 x 1524	220	98.9



ROOF HATCH & SAFETY RAILS FRONT VIEW
(ROOF HATCH COVER REMOVED FOR A BETTER VIEW OF THE RAIL SYSTEM)



NOTE: Railing product image shown with 36" x 36" Aluminum Roof Hatch. Roof Hatch products are sold separately. For more information on Roof Hatches and Smoke Vents, contact Acudor at "www.acudor.com" - info@acudor.com

For detailed specifications see submittal sheet