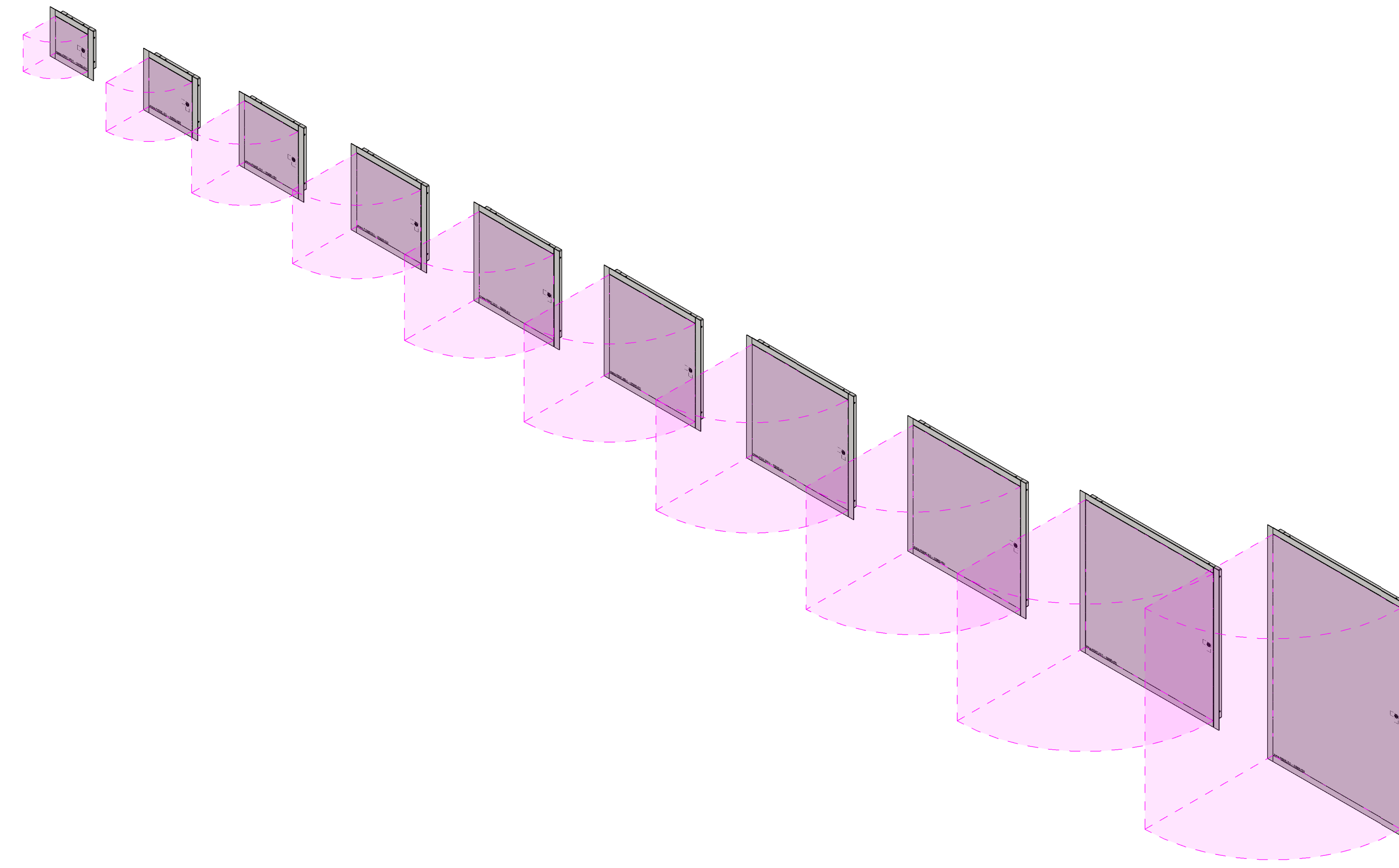
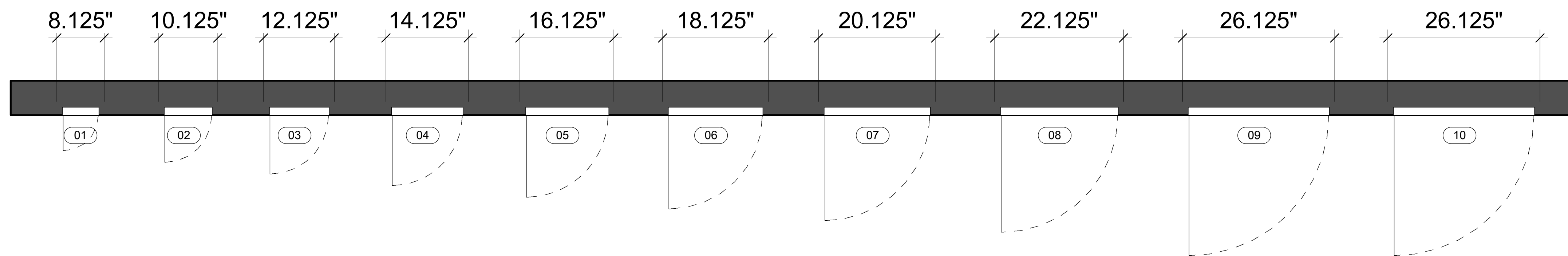




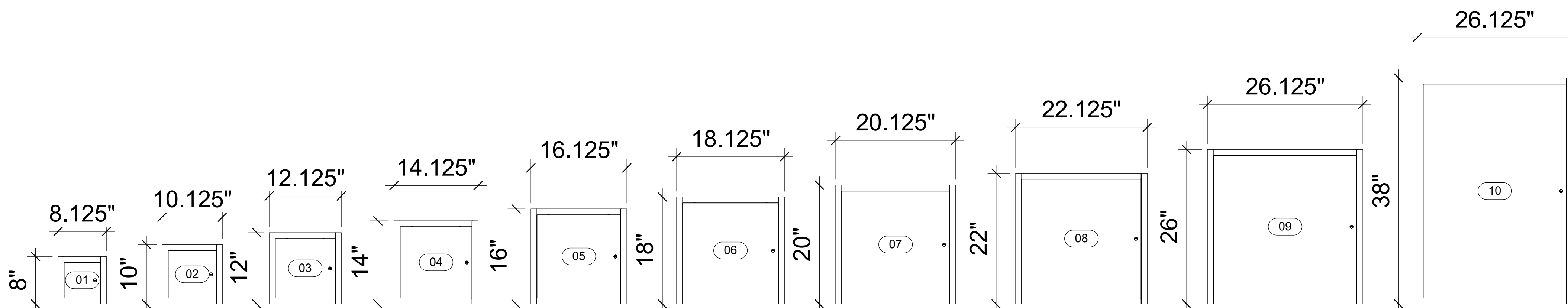
www.acudor.com



1 3D View



2 Level 1  
1" = 1'-0"



3 Elevation 2  
1" = 1'-0"

Door Schedule													
Type Mark	Manufacturer	Description	Model	Type	Width	Height	URL	Manufacturer URL	USA Manufacturer URL	USA Contact Number	Canada Manufacturer URL	Canada Contact Number	
Access_Door_ACUDOR_Universal-Flush_ED-2002													
01	ACUDOR	FLUSH ACCESS DOOR	ED-2002-0606	ED-2002-0606	8.125	8	www.acudor.com	info@acudorintl.com	info@acudor.com	800-722-0501	info@acudor.ca	844-228-3671	
02	ACUDOR	FLUSH ACCESS DOOR	ED-2002-0808	ED-2002-0808	10.125	10	www.acudor.com	info@acudorintl.com	info@acudor.com	800-722-0501	info@acudor.ca	844-228-3671	
03	ACUDOR	FLUSH ACCESS DOOR	ED-2002-1010	ED-2002-1010	12.125	12	www.acudor.com	info@acudorintl.com	info@acudor.com	800-722-0501	info@acudor.ca	844-228-3671	
04	ACUDOR	FLUSH ACCESS DOOR	ED-2002-1212	ED-2002-1212	14.125	14	www.acudor.com	info@acudorintl.com	info@acudor.com	800-722-0501	info@acudor.ca	844-228-3671	
05	ACUDOR	FLUSH ACCESS DOOR	ED-2002-1414	ED-2002-1414	16.125	16	www.acudor.com	info@acudorintl.com	info@acudor.com	800-722-0501	info@acudor.ca	844-228-3671	
06	ACUDOR	FLUSH ACCESS DOOR	ED-2002-1616	ED-2002-1616	18.125	18	www.acudor.com	info@acudorintl.com	info@acudor.com	800-722-0501	info@acudor.ca	844-228-3671	
07	ACUDOR	FLUSH ACCESS DOOR	ED-2002-1818	ED-2002-1818	20.125	20	www.acudor.com	info@acudorintl.com	info@acudor.com	800-722-0501	info@acudor.ca	844-228-3671	
08	ACUDOR	FLUSH ACCESS DOOR	ED-2002-2020	ED-2002-2020	22.125	22	www.acudor.com	info@acudorintl.com	info@acudor.com	800-722-0501	info@acudor.ca	844-228-3671	
09	ACUDOR	FLUSH ACCESS DOOR	ED-2002-2424	ED-2002-2424	26.125	26	www.acudor.com	info@acudorintl.com	info@acudor.com	800-722-0501	info@acudor.ca	844-228-3671	
10	ACUDOR	FLUSH ACCESS DOOR	ED-2002-2436	ED-2002-2436	26.125	38	www.acudor.com	info@acudorintl.com	info@acudor.com	800-722-0501	info@acudor.ca	844-228-3671	

Access Door  
ACUDOR  
Universal-Flush  
ED-2002

3D View, Plan, Elev,  
& Schedule

Project Number 020  
Date 06-29-2020

ED-2002

Scale 1" = 1'-0"