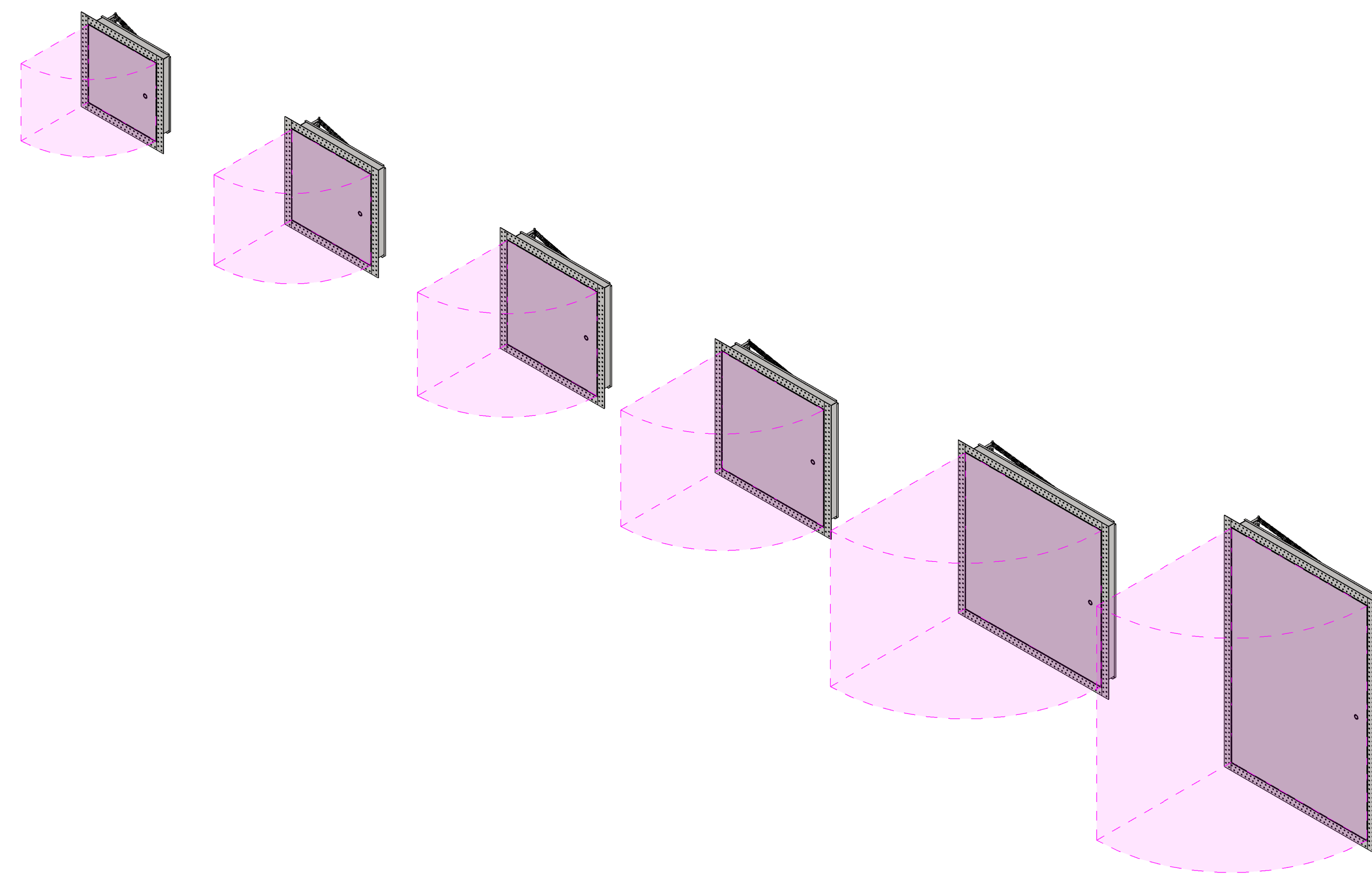
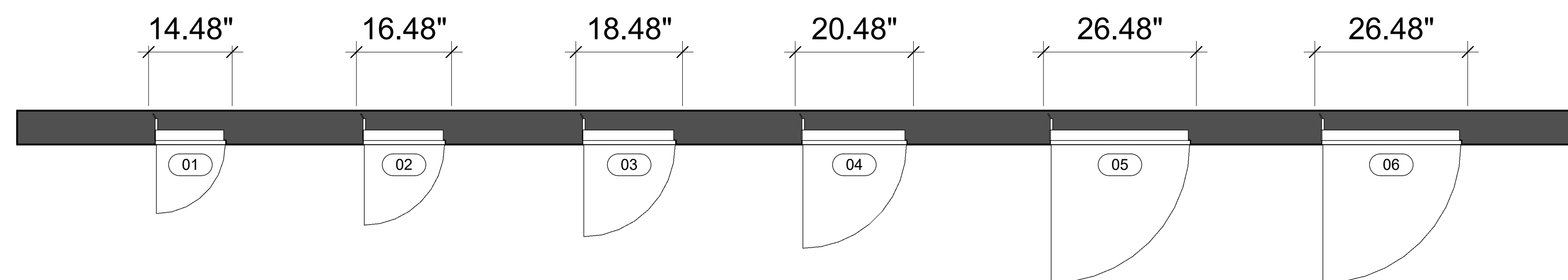




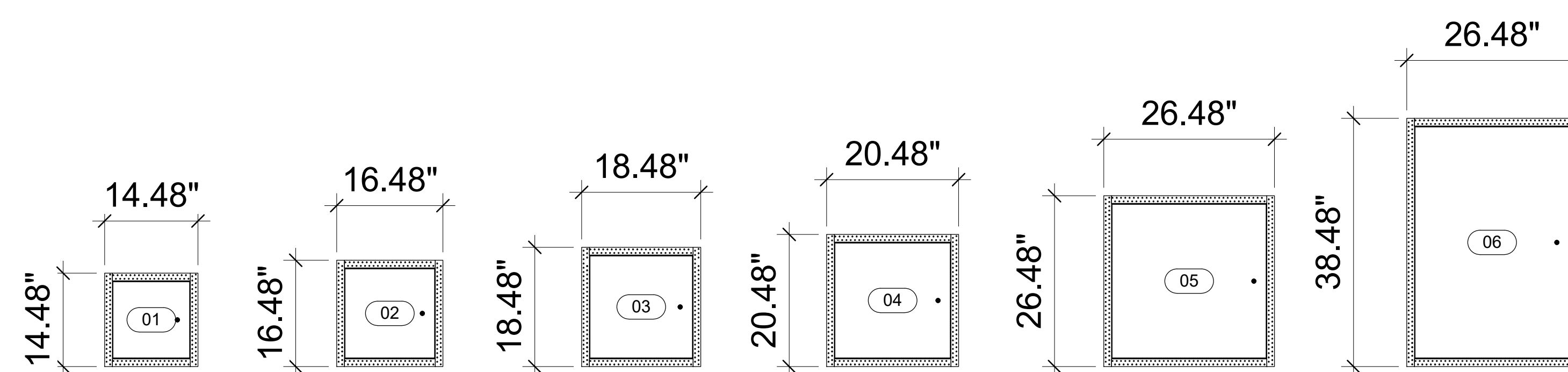
www.acudor.com



1 3D View



2 Level 1
3/4" = 1'-0"



3 Elevation 2
3/4" = 1'-0"

Door Schedule													
Type Mark	Manufacturer	Description	Model	Type	Width	Height	URL	Manufacturer URL	USA Manufacturer URL	USA Contact Number	Canada Manufacturer URL	Canada Contact Number	
Access Door ACUDOR FireRated Drywall Ceilings FWC-5015													
01	ACUDOR	RECESSED FOR DRYWALL CEILING	FWC-5015-1212	FWC-5015-1212	14.48	14.48	www.acudor.com	info@acudorintl.com	info@acudor.com	800-722-0501	info@acudor.ca	844-228-3671	
02	ACUDOR	RECESSED FOR DRYWALL CEILING	FWC-5015-1414	FWC-5015-1414	16.48	16.48	www.acudor.com	info@acudorintl.com	info@acudor.com	800-722-0501	info@acudor.ca	844-228-3671	
03	ACUDOR	RECESSED FOR DRYWALL CEILING	FWC-5015-1616	FWC-5015-1616	18.48	18.48	www.acudor.com	info@acudorintl.com	info@acudor.com	800-722-0501	info@acudor.ca	844-228-3671	
04	ACUDOR	RECESSED FOR DRYWALL CEILING	FWC-5015-1818	FWC-5015-1818	20.48	20.48	www.acudor.com	info@acudorintl.com	info@acudor.com	800-722-0501	info@acudor.ca	844-228-3671	
05	ACUDOR	RECESSED FOR DRYWALL CEILING	FWC-5015-2424	FWC-5015-2424	26.48	26.48	www.acudor.com	info@acudorintl.com	info@acudor.com	800-722-0501	info@acudor.ca	844-228-3671	
06	ACUDOR	RECESSED FOR DRYWALL CEILING	FWC-5015-2436	FWC-5015-2436	26.48	38.48	www.acudor.com	info@acudorintl.com	info@acudor.com	800-722-0501	info@acudor.ca	844-228-3671	

Access Door
ACUDOR
FireRated
Drywall Ceilings
FWC-5015

3D View, Plan, Elev,
& Schedule

Project Number 008

Date 06-19-2020

FWC-5015

Scale 3/4" = 1'-0"