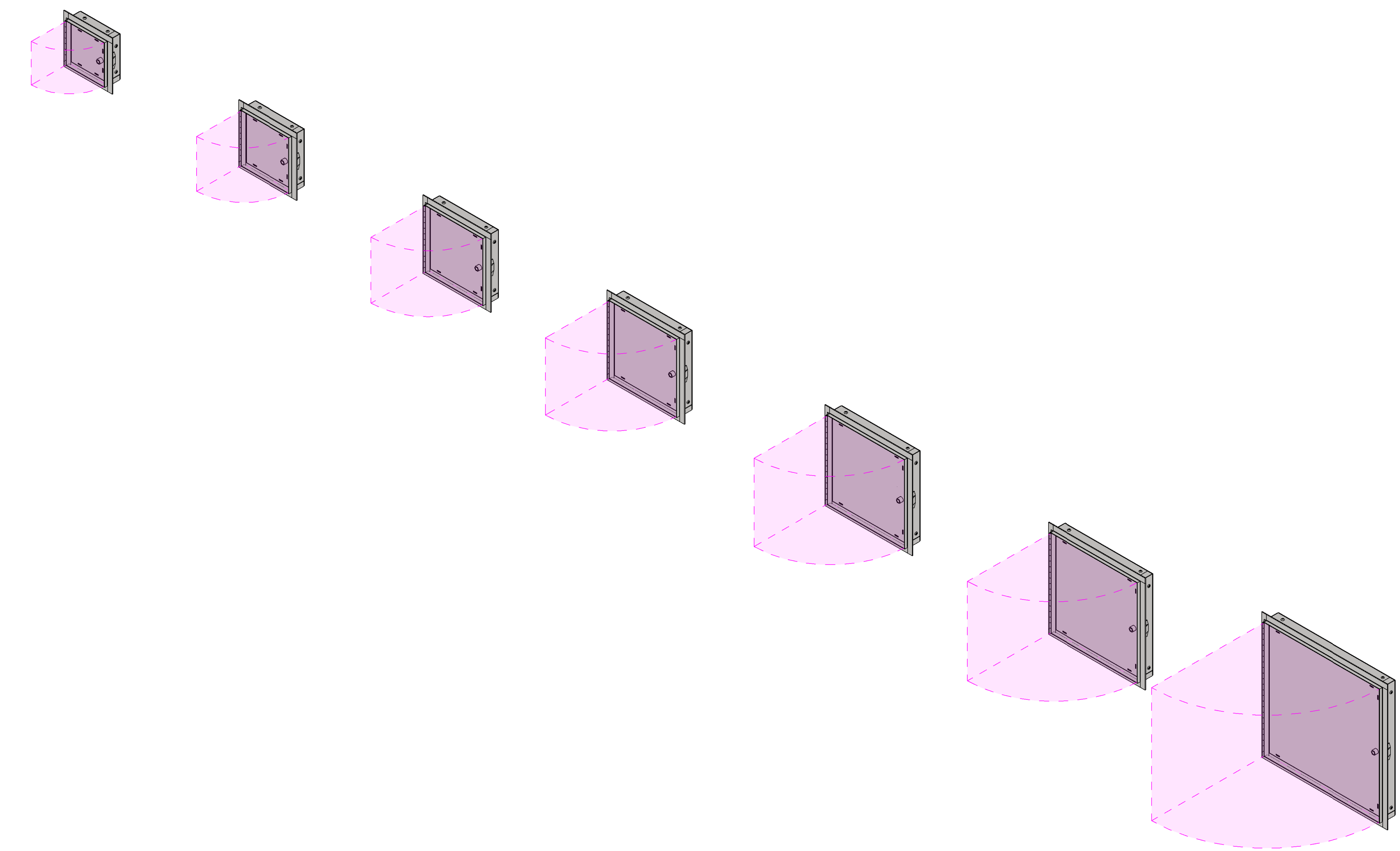
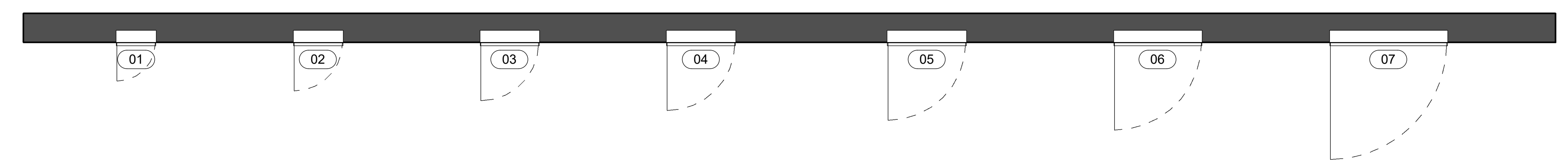




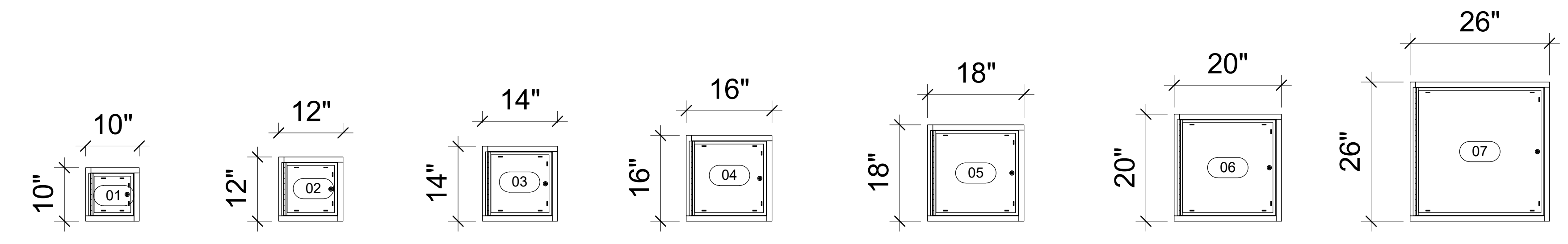
www.acudor.com



1 3D View



2 Level 1  
3/4" = 1'-0"



3 Elevation 2  
3/4" = 1'-0"

Door Schedule												
Type Mark	Manufacturer	Description	Model	Type	Width	Height	URL	Manufacturer URL	USA Manufacturer URL	USA Contact Number	Canada Manufacturer URL	Canada Contact Number
01	ACUDOR	RECESSED FOR TILE FIRE RETED - FOR WALLS	FB-5060-TD-0808	FB-5060-TD-0808	10.00	10.00	www.acudor.com	info@acudorintl.com	info@acudor.com	800-722-0501	info@acudor.ca	844-228-3671
02	ACUDOR	RECESSED FOR TILE FIRE RETED - FOR WALLS	FB-5060-TD-1010	FB-5060-TD-1010	12.00	12.00	www.acudor.com	info@acudorintl.com	info@acudor.com	800-722-0501	info@acudor.ca	844-228-3671
03	ACUDOR	RECESSED FOR TILE FIRE RETED - FOR WALLS	FB-5060-TD-1212	FB-5060-TD-1212	14.00	14.00	www.acudor.com	info@acudorintl.com	info@acudor.com	800-722-0501	info@acudor.ca	844-228-3671
04	ACUDOR	RECESSED FOR TILE FIRE RETED - FOR WALLS	FB-5060-TD-1414	FB-5060-TD-1414	16.00	16.00	www.acudor.com	info@acudorintl.com	info@acudor.com	800-722-0501	info@acudor.ca	844-228-3671
05	ACUDOR	RECESSED FOR TILE FIRE RETED - FOR WALLS	FB-5060-TD-1616	FB-5060-TD-1616	18.00	18.00	www.acudor.com	info@acudorintl.com	info@acudor.com	800-722-0501	info@acudor.ca	844-228-3671
06	ACUDOR	RECESSED FOR TILE FIRE RETED - FOR WALLS	FB-5060-TD-1818	FB-5060-TD-1818	20.00	20.00	www.acudor.com	info@acudorintl.com	info@acudor.com	800-722-0501	info@acudor.ca	844-228-3671
07	ACUDOR	RECESSED FOR TILE FIRE RETED - FOR WALLS	FB-5060-TD-2424	FB-5060-TD-2424	26.00	26.00	www.acudor.com	info@acudorintl.com	info@acudor.com	800-722-0501	info@acudor.ca	844-228-3671

Access\_Door  
ACUDOR  
FireRated  
Uninsulated Tile  
FB-5060-TD

3D View, Plan, Elev,  
& Schedule

Project Number 014  
Date 06-19-2020

**FB-5060-TD**

Scale 3/4" = 1'-0"