

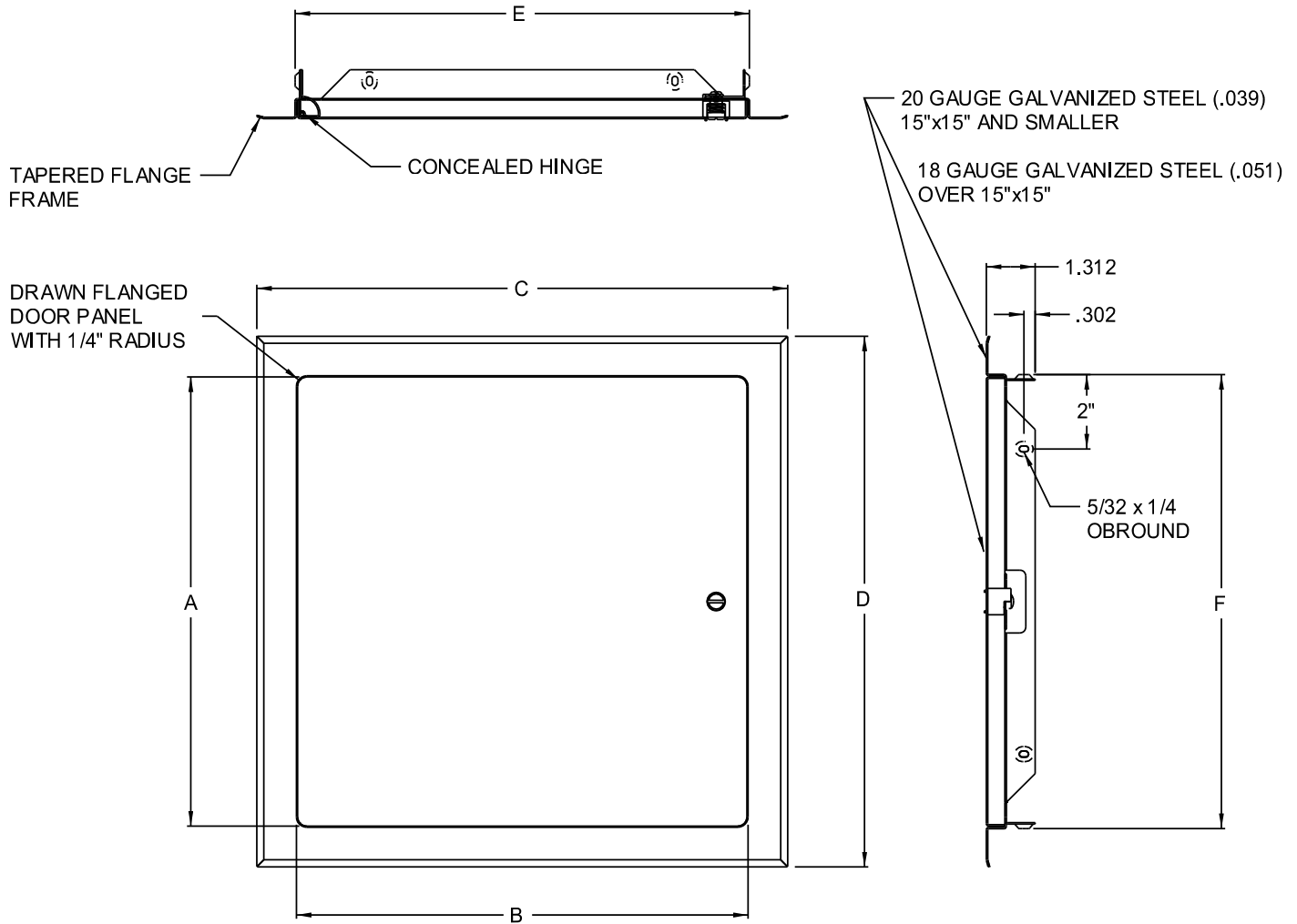


www.acudor.com
 U.S.A.: info@acudor.com / 800.722.0501
 CANADA: info@acudor.ca / 844.228.3671
 INTERNATIONAL: info@acudorintl.com
 (905) 428.2240

UF-5500

UNIVERSAL FLUSH

QTY.	NOMINAL SIZE	A	B	C	D	E	F	LOCK QTY
	6 x 6 (152 x 152)	6.046 (154)	6.046 (154)	8.250 (210)	8.250 (210)	6.204 (158)	6.204 (158)	1
	8 x 8 (203 x 203)	8.046 (204)	8.046 (204)	10.250 (260)	10.250 (260)	8.204 (208)	8.204 (208)	1
	12 x 12 (305 x 305)	12.046 (306)	12.046 (306)	14.250 (362)	14.250 (362)	12.204 (310)	12.204 (310)	1
	15 x 15 (381 x 381)	15.046 (382)	15.046 (382)	17.250 (438)	17.250 (438)	15.204 (386)	15.204 (386)	1
	18 x 18 (457 x 457)	18.046 (458)	18.046 (458)	20.250 (514)	20.250 (514)	18.204 (462)	18.204 (462)	1
	24 x 24 (610 x 610)	24.046 (611)	24.046 (611)	26.250 (667)	26.250 (667)	24.204 (615)	24.204 (615)	2



STANDARD FEATURES:

SLOTTED SCREW DRIVER OPERATED CAM LATCH; GALVANIZED STEEL; WHITE BAKED ENAMEL FINISH

OPTIONS:

- LOCK TYPE
- CYLINDER LOCK AND KEY
 - ALLEN HEAD CAM LATCH
 - SPANNER HEAD CAM LATCH
 - TORX HEAD CAM LATCH

- MATERIAL
- STAINLESS STEEL

- FINISH
- #4 SATIN POLISH

JOB NAME:

APPROVED BY:

CUSTOMER:

DATE: