

UF-5000

UNIVERSAL FLUSH

Application

- Installation in Drywall, Plaster, Masonry, Tile or any flush surface

Product Features

- Door panel has rounded safety corners providing an architecturally pleasing appearance
- One piece trim flange will not rack, sag or distortion
- Unique continuous concealed hinge will not bind

UF-5000 Access Door Specifications:

Material: Up to 16" X 16" - 16 gauge, 18 gauge mounting frame,
over 16" X 16" - 14 gauge door, 16 gauge mounting frame

Door: Flush to frame with rounded safety corners

Mounting Frame: One piece outer flange welded to mounting frame

Hinge: Continuous, concealed

Latch: Stainless Steel screwdriver operated cam latch

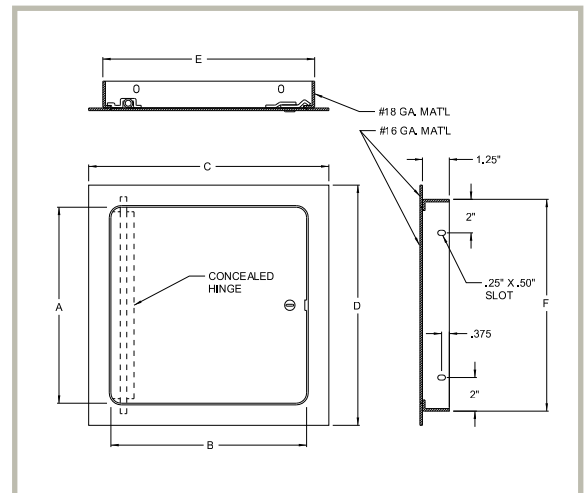
Optional Latches/Locks: Cylinder lock and key, allen head cam latch,
spanner head cam latch

Finish: Steel: 5-stage iron phosphate preparation with prime coat of
White alkyd baking enamel **OR** Stainless Steel: Type 304 - #4 satin polish

UF-5000 STANDARD SIZES

(other sizes available upon request)

Nominal Door Size W&H		Latches	Weight per Door	
Inches	mm		lbs.	kg.
6 X 6	152 X 152	1	2	.9
8 X 8	203 X 203	1	2.7	1.2
8 X 12	203 X 305	1	3.6	1.6
10 X 10	254 X 254	1	3.6	1.6
12 X 12	305 X 305	1	4.7	2.1
12 X 16	305 X 406	2	6	2.7
12 X 18	305 X 457	2	7	3.1
12 X 24	305 X 610	2	8.5	3.9
14 X 14	356 X 356	1	6.2	2.7
16 X 16	406 X 406	2	7.6	3.4
16 X 24	406 X 610	2	12.5	5.7
18 X 18	457 X 457	2	11.2	5.1
18 X 24	457 X 610	2	15	6.7
22 X 22	560 X 560	4	16.3	7.2
22 X 30	560 X 762	5	21	9.5
22 X 36	560 X 914	5	26	12
24 X 24	610 X 610	4	18	8.2
24 X 30	610 X 762	5	22.5	10.2



UF-5000 STANDARD SIZES

(other sizes available upon request)

Nominal Door Size W&H		Latches	Weight per Door	
Inches	mm		lbs.	kg.
24 X 36	610 X 914	5	26.6	12.1
24 X 48	610 X 1220	5	38	18.1
30 X 30	762 X 762	5	27.5	12.5
36 X 36	914 X 914	5	39	17.7

Wall or ceiling opening is nominal door size + 3/8" (9 mm)
For detailed specifications see submittal sheet