

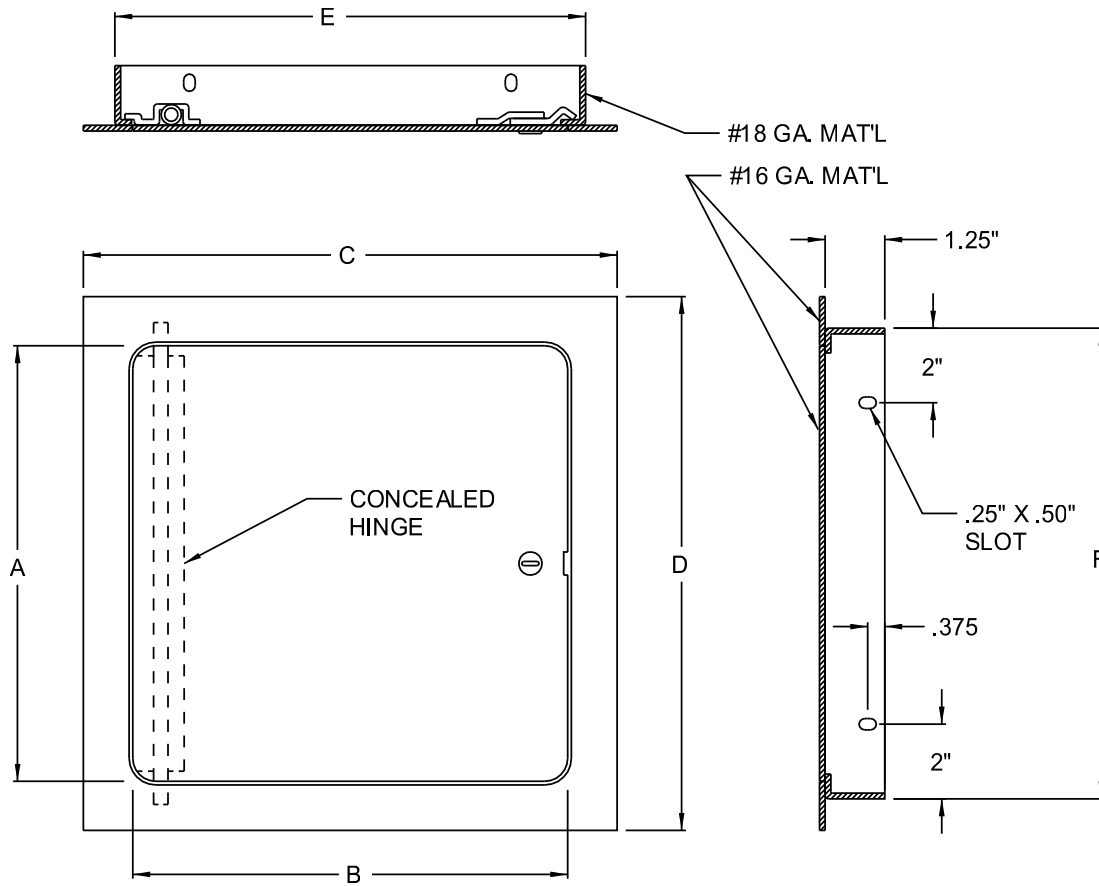


www.acudor.com  
 U.S.A.: info@acudor.com / 800.722.0501  
 CANADA: info@acudor.ca / 844.228.3671  
 INTERNATIONAL: info@acudorintl.com  
 (905) 428.2240

# UF-5000

## UNIVERSAL FLUSH

QTY.	NOMINAL SIZE	A	B	C	D	E	F	LOCK
	6 x 6 (152 x 152)	5.45 (138)	5.45 (138)	7.62 (194)	7.62 (194)	6.25 (159)	6.25 (159)	1
	8 x 8 (203 x 203)	7.45 (189)	7.45 (189)	9.62 (244)	9.62 (244)	8.25 (210)	8.25 (210)	1
	8 x 12 (203 x 305)	11.45 (291)	7.45 (189)	9.62 (244)	13.62 (346)	8.25 (210)	12.25 (311)	1
	10 x 10 (254 x 254)	9.45 (240)	9.45 (240)	11.62 (295)	11.62 (295)	10.25 (260)	10.25 (260)	1
	12 x 12 (305 x 305)	11.45 (291)	11.45 (291)	13.62 (346)	13.62 (346)	12.25 (311)	12.25 (311)	1
	12 x 16 (305 x 406)	15.45 (393)	11.45 (291)	13.62 (346)	17.62 (448)	12.25 (311)	16.25 (413)	2
	12 x 18 (305 x 457)	17.45 (443)	11.45 (291)	13.62 (346)	19.62 (498)	12.25 (311)	18.25 (464)	2
	12 x 24 (305 x 610)	23.45 (596)	11.45 (291)	13.62 (346)	25.62 (651)	12.25 (311)	24.25 (616)	2
	14 x 14 (356 x 356)	13.45 (342)	13.45 (342)	15.62 (397)	15.62 (397)	14.25 (362)	14.25 (362)	1
	16 x 16 (406 x 406)	15.45 (393)	15.45 (393)	17.62 (448)	17.62 (448)	16.25 (413)	16.25 (413)	2



STANDARD FEATURES: SLOTTED SCREW CAM LATCH, CARBON STEEL, PRIME COAT BAKED ENAMEL FINISH

OPTIONS:

- LOCK TYPE**
- CYLINDER LOCK AND KEY
  - ALLEN HEAD CAM LATCH
  - SPANNER HEAD CAM LATCH
  - OTHER

- MATERIAL**
- STAINLESS STEEL
  - OTHER

- FINISH**
- #4 SATIN POLISH
  - OTHER

JOB NAME:

APPROVED BY:

CUSTOMER:

DATE:

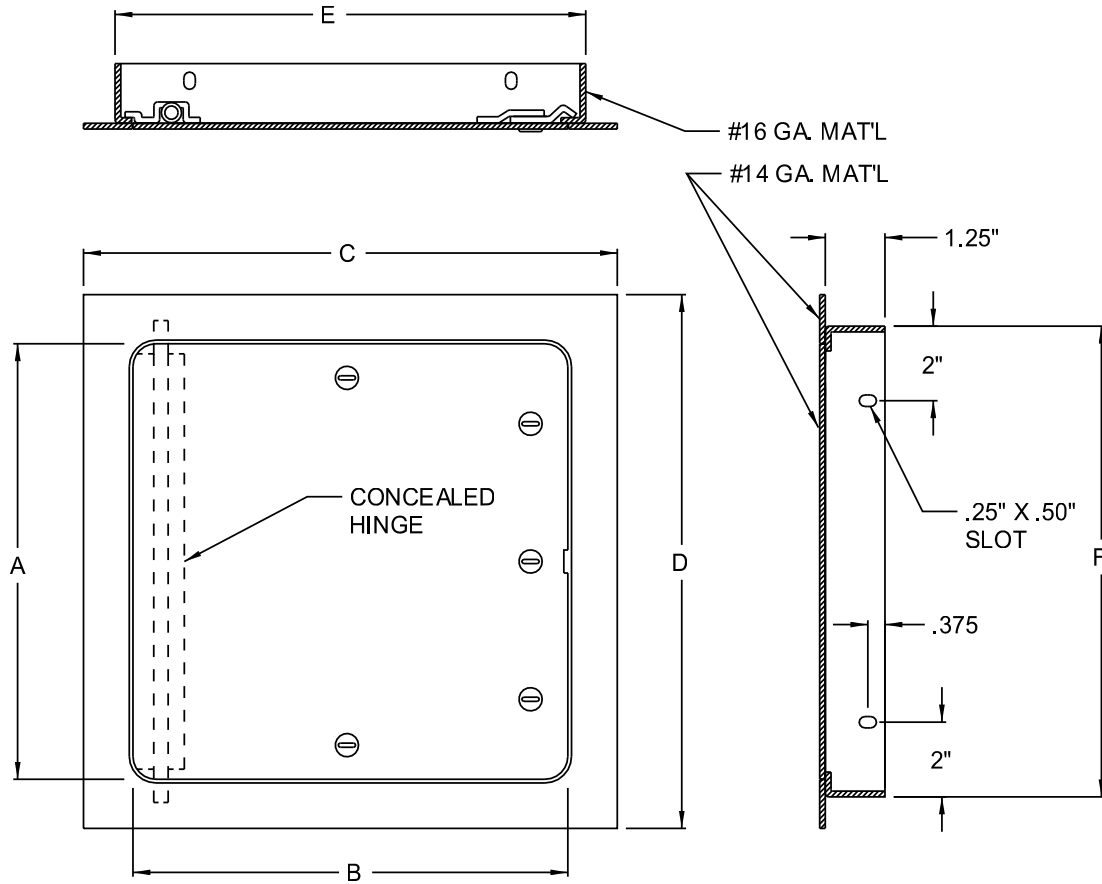


www.acudor.com  
 U.S.A.: info@acudor.com / 800.722.0501  
 CANADA: info@acudor.ca / 844.228.3671  
 INTERNATIONAL: info@acudorintl.com  
 (905) 428.2240

# UF-5000

## UNIVERSAL FLUSH

QTY.	NOMINAL SIZE	A	B	C	D	E	F	LOCK
	16 x 24 (406 x 610)	23.45 (596)	15.45 (392)	17.62 (448)	25.62 (651)	16.25 (413)	24.25 (616)	2
	18 x 18 (457 x 457)	17.45 (443)	17.45 (443)	19.62 (498)	19.62 (498)	18.25 (464)	18.25 (464)	2
	18 x 24 (457 x 610)	23.45 (596)	17.45 (443)	19.62 (498)	25.62 (651)	18.25 (464)	24.25 (616)	2
	22 x 22 (560 x 560)	21.45 (545)	21.45 (545)	23.62 (600)	23.62 (600)	22.25 (565)	22.25 (565)	4
	22 x 30 (560 x 762)	29.45 (748)	21.45 (545)	23.62 (600)	31.62 (803)	22.25 (565)	30.25 (768)	5
	22 x 36 (560 x 914)	35.45 (900)	21.45 (545)	23.62 (600)	37.62 (956)	22.25 (565)	36.25 (921)	5
	24 x 24 (610 x 610)	23.45 (596)	23.45 (596)	25.62 (651)	25.62 (651)	24.25 (616)	24.25 (616)	4
	24 x 30 (610 x 762)	29.45 (748)	23.45 (596)	25.62 (651)	31.62 (803)	24.25 (616)	30.25 (768)	5
	24 x 36 (610 x 914)	35.45 (900)	23.45 (596)	25.62 (651)	37.62 (956)	24.25 (616)	36.25 (921)	5
	24 x 48 (610 x 1220)	47.45 (1205)	23.45 (596)	25.62 (651)	49.62 (1260)	24.25 (616)	48.25 (1225)	5
	30 x 30 (762 x 762)	29.45 (748)	29.45 (748)	31.62 (803)	31.62 (803)	30.25 (768)	30.25 (768)	5
	36 x 36 (914 x 914)	35.45 (900)	35.45 (900)	37.62 (956)	37.62 (956)	36.25 (921)	36.25 (921)	5



STANDARD FEATURES: SLOTTED SCREW CAM LATCH, CARBON STEEL, PRIME COAT BAKED ENAMEL FINISH

OPTIONS:

- LOCK TYPE**
- CYLINDER LOCK AND KEY
  - ALLEN HEAD CAM LATCH
  - SPANNER HEAD CAM LATCH
  - OTHER

- MATERIAL**
- STAINLESS STEEL
  - OTHER

- FINISH**
- #4 SATIN POLISH
  - OTHER

JOB NAME:

APPROVED BY:

CUSTOMER:

DATE:

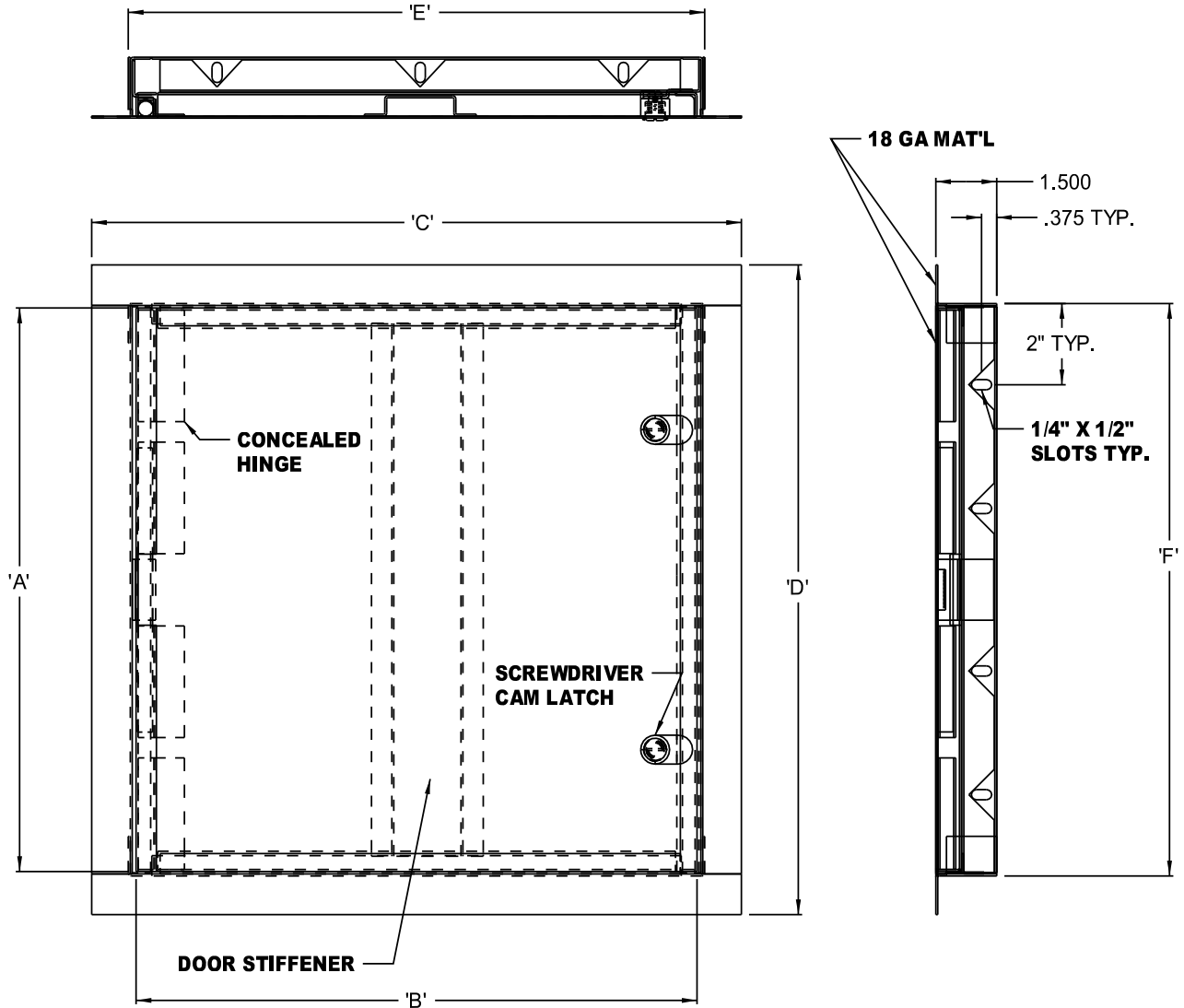


www.acudor.com  
 U.S.A.: info@acudor.com / 800.722.0501  
 CANADA: info@acudor.ca / 844.228.3671  
 INTERNATIONAL: info@acudorintl.com  
 (905) 428.2240

# UF-5000-FD

## FLUSH MOUNT FORMED DOOR

QTY.	NOMINAL SIZE	A	B	C	D	E	F	LOCK
	36 x 48 (914 x 1219)	47.875 (1216)	35.843 (910)	38.00 (965)	50.00 (1270)	36.194 (919)	48.096 (1222)	2
	48 x 48 (1219 x 1219)	47.875 (1216)	47.843 (1215)	50.00 (1270)	50.00 (1270)	48.194 (1224)	48.096 (1222)	4
	48 x 60 (1219 x 1524)	59.875 (1520)	47.843 (1215)	50.00 (1270)	62.00 (1575)	48.194 (1224)	60.096 (1526)	5



STANDARD FEATURES: SCREW DRIVER OPERATED CAM LATCH,  
 CARBON STEEL, PRIME COAT BAKED ENAMEL FINISH

OPTIONS:

LOCK TYPE

- CYLINDER LOCK & KEY
- ALLEN HEAD CAM LATCH
- SPANNER HEAD CAM LATCH
- THUMB TURN LATCH
- OTHER

MATERIAL

- STAINLESS STEEL
- OTHER

FINISH

- #4 SATIN POLISH
- OTHER

JOB NAME:

APPROVED BY:

CUSTOMER:

DATE: