

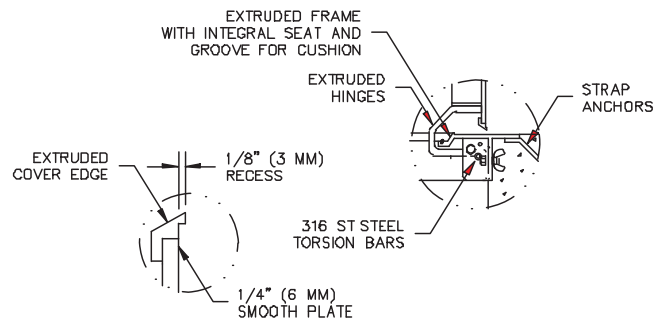
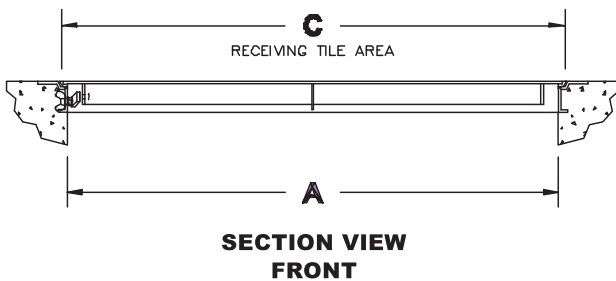
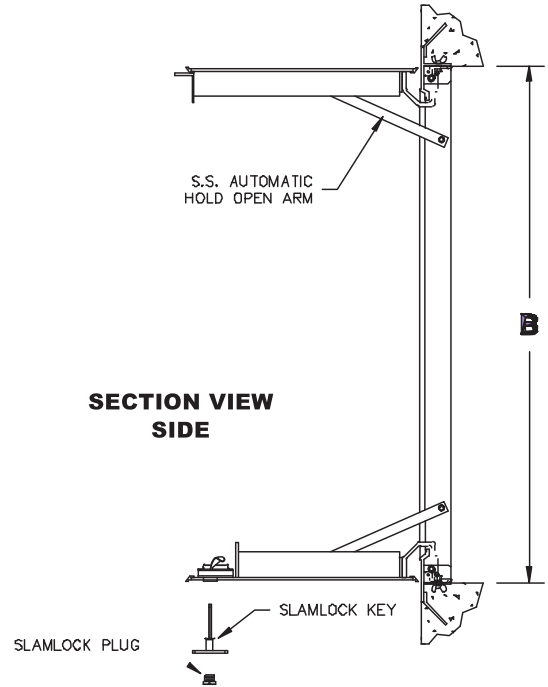
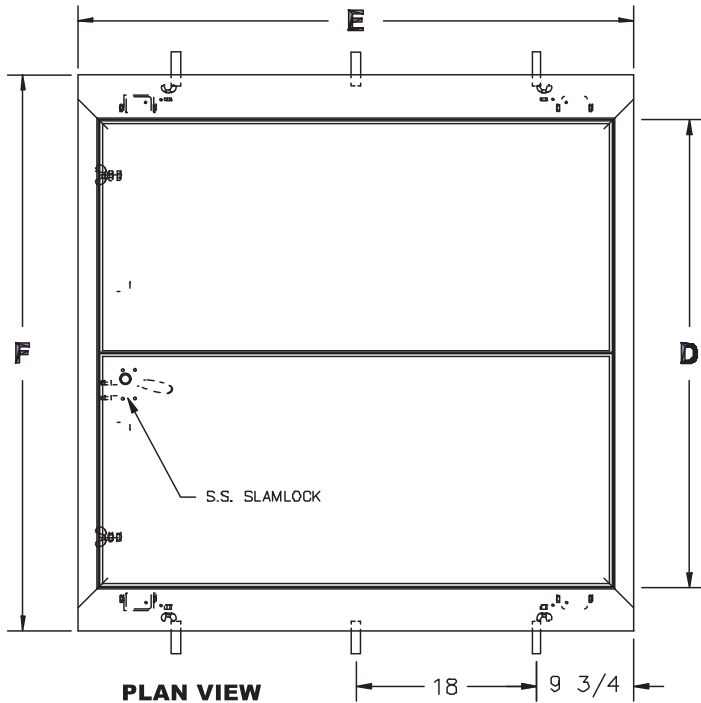


www.acudor.com
 U.S.A.: info@acudor.com / 800.722.0501
 CANADA: info@acudor.ca / 844.228.3671
 INTERNATIONAL: info@acudorintl.com
 905.428.2240

FT-8040

**1/8" RECESSED FOR VINYL TILE/
 CARPET - DOUBLE LEAF**

NOMINAL DOOR SIZE	FRAME OPENING		CLEAR OPENING		OVERALL SIZE		WEIGHT
	in. (mm)	A in. (mm)	B in. (mm)	C in. (mm)	D in. (mm)	E in. (mm)	
48 x 48 (1220 x 1220)	50-1/8 (1270)	46-3/4 (1168)	48 (1220)	48 (1220)	55-1/8 (1897)	52-3/4 (1320)	155 (71)
48 x 72 (1220 x 1829)	50-1/8 (1270)	70-3/4 (1778)	48 (1220)	72 (1829)	55-1/8 (1897)	76-3/4 (1930)	220 (100)
60 x 60 (1524 x 1524)	62-1/8 (1574)	58-3/4 (1473)	60 (1524)	60 (1524)	67-1/8 (1702)	64-3/4 (1651)	225 (102)



- NOTES:**
- 1- MATERIAL: ALUMINUM
 - 2- LOADING: 150 LBS. PER SQ. FT.
 - 3- 316 STAINLESS STEEL BOLTS, HINGES AND HOLD OPEN ARM

JOB NAME:
 CUSTOMER:

APPROVED BY:
 DATE: