

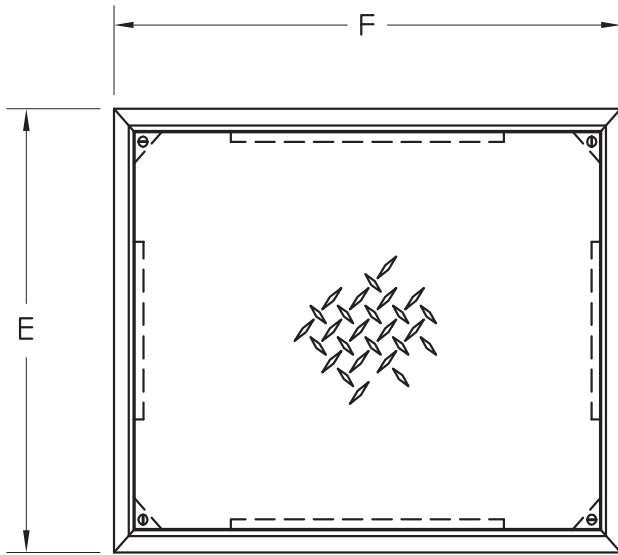


www.acudor.com
 U.S.A.: info@acudor.com / 800.722.0501
 CANADA: info@acudor.ca / 844.228.3671
 INTERNATIONAL: info@acudorintl.com
 905.428.2240

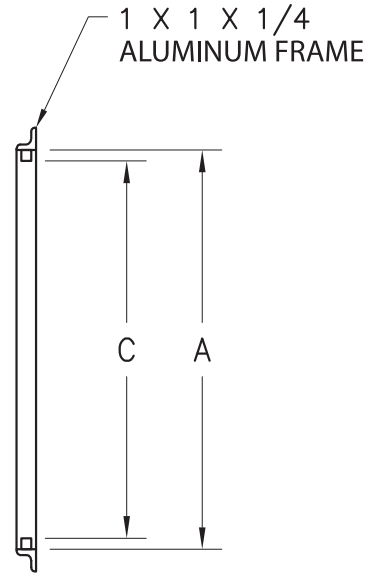
FD-8060

NON-HINGED, FLUSH DIAMOND PLATE FLOOR DOOR

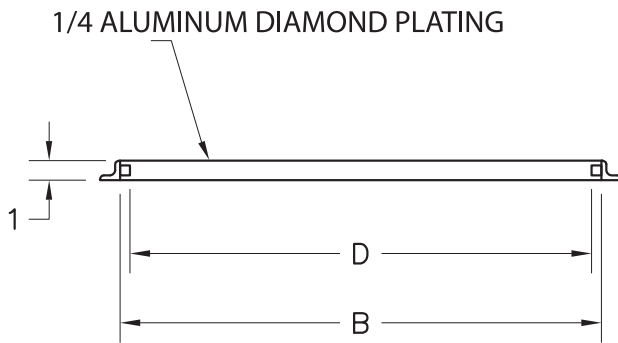
NOMINAL DOOR SIZE	FRAME I.D.		CLEAR OPENING		OVERALL SIZE		WEIGHT
	A in. (mm)	B in. (mm)	C in. (mm)	D in. (mm)	E in. (mm)	F in. (mm)	
8 x 8	8 (203)	8 (203)	7 (178)	7 (178)	10 (254)	10 (254)	4 (2)
12 x 12	12 (305)	12 (305)	11 (279)	11 (279)	14 (356)	14 (356)	6 (3)
18 x 18	18 (457)	18 (457)	17 (432)	17 (432)	20 (508)	20 (508)	12 (6)
24 x 24	24 (610)	24 (610)	23 (584)	23 (584)	26 (660)	26 (660)	24 (11)



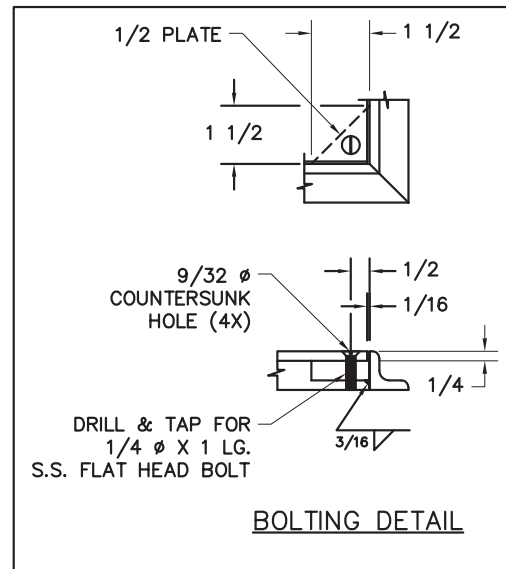
COVER & FRAME



FRAME



FRAME



BOLTING DETAIL

NOTES:

- 1- MATERIAL: ALUMINUM
- 2- LOADING: 150 LBS. PER SQ. FT.
- 3- 316 STAINLESS STEEL NUTS & BOLTS

JOB NAME:
 CUSTOMER:

APPROVED BY:
 DATE: