

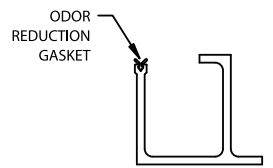
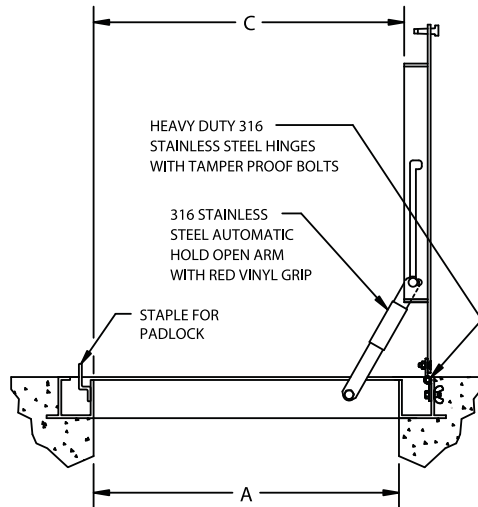
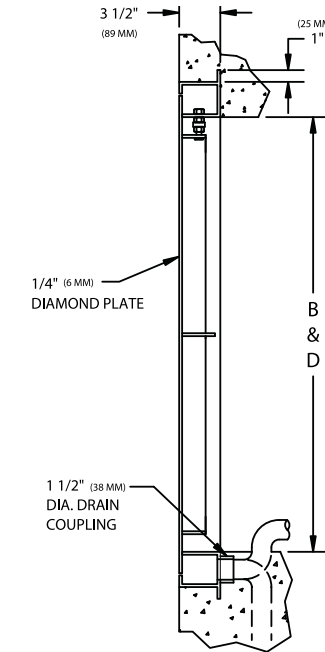
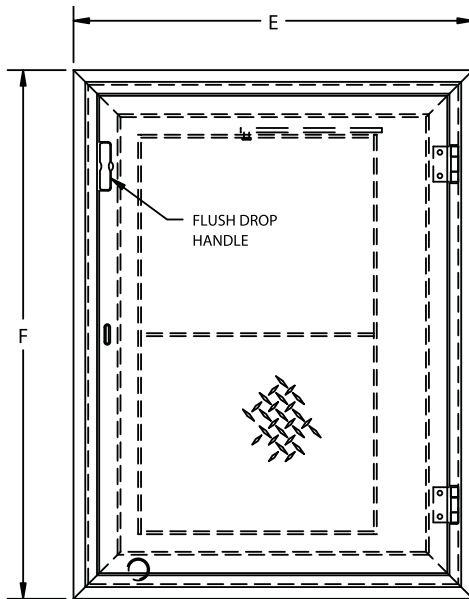


www.acudor.com
 U.S.A.: info@acudor.com / 800.722.0501
 CANADA: info@acudor.ca / 844.228.3671
 INTERNATIONAL: info@acudorintl.com
 905.428.2240

FC-300

CHANNEL FRAME FLOOR DOOR SINGLE LEAF

NOMINAL DOOR SIZE	FRAME OPENING		CLEAR OPENING		OVERALL SIZE		WEIGHT
in. (mm)	A in. (mm)	B in. (mm)	C in. (mm)	D in. (mm)	E in. (mm)	F in. (mm)	LBS. (KG)
24 x 24 (610 x 610)	24 (610)	24 (610)	24 (610)	24 (610)	32 (813)	32 (813)	60 (27)
24 x 30 (610 x 762)	24 (610)	30 (762)	24 (610)	30 (762)	32 (813)	38 (965)	69 (31)
30 x 30 (762 x 762)	30 (762)	30 (762)	29 (737)	30 (762)	38 (965)	38 (965)	79 (36)
30 x 36 (762 x 914)	30 (762)	36 (914)	29 (737)	36 (914)	38 (965)	44 (1118)	88 (40)
36 x 36 (914 x 914)	36 (914)	36 (914)	35 (889)	36 (914)	44 (1118)	44 (1118)	99 (45)
36 x 48 (914 x 1219)	36 (914)	48 (1219)	35 (889)	48 (1219)	44 (1118)	56 (1422)	121 (55)
42 x 42 (1067 x 1067)	42 (1067)	42 (1067)	41 (1041)	42 (1067)	50 (1270)	50 (1270)	123 (56)



1/4" EXTRUDED TROUGH SECTION
 W/INTEGRAL CONTINUOUS ANCHOR
 FLANGE & GROOVE FOR GASKET
 FRAME MAT'L: ALUMINUM 6063-T5

FRAME DETAIL

NOTE:
 -MATERIAL: ALUMINUM WITH
 316 STAINLESS STEEL NUTS & BOLTS,
 HINGES, AND HOLD OPEN ARM.
 -LOADING: 300 LBS. PER SQ. FOOT.
 (1464 KG. PER SQ. M)

OPTIONAL FEATURES

- S.S. HORIZONTAL SPRINGS
- S.S. SLAMLOCK
- BITUMINOUS PAINT ON AREA IN CONTACT WITH CONCRETE
- OTHERS: _____

JOB NAME:
 CUSTOMER:

APPROVED BY:
 DATE:

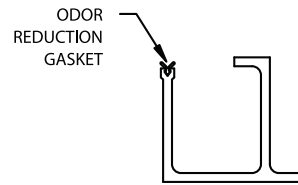
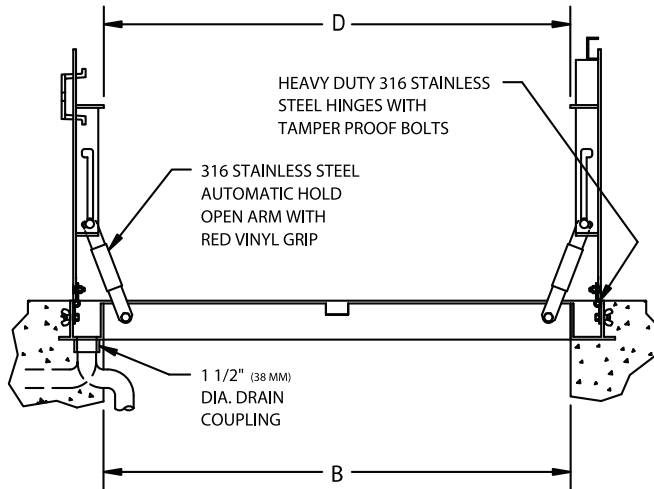
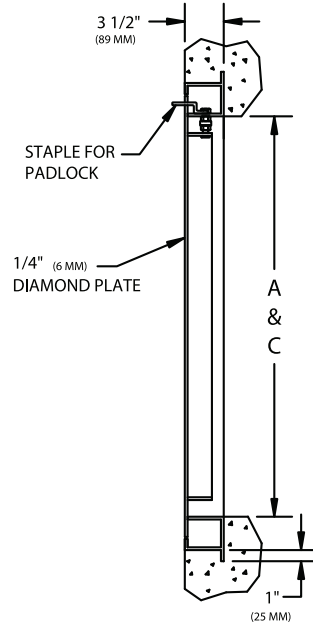
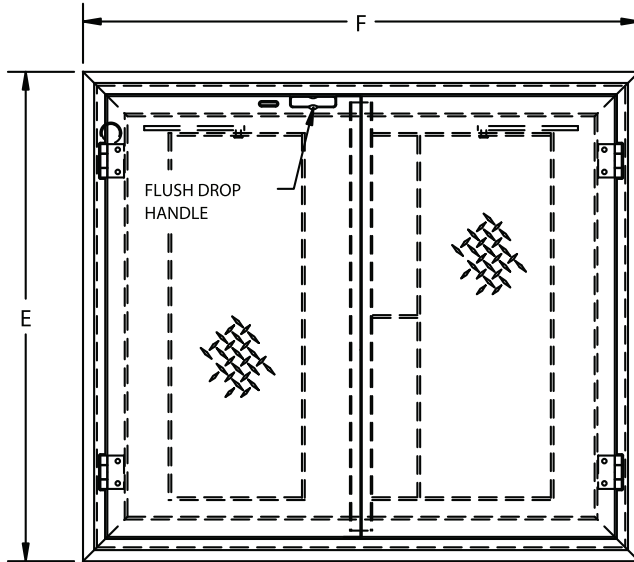


www.acudor.com
 U.S.A.: info@acudor.com / 800.722.0501
 CANADA: info@acudor.ca / 844.228.3671
 INTERNATIONAL: info@acudorintl.com
 905.428.2240

FC-300

CHANNEL FRAME FLOOR DOOR DOUBLE LEAF

NOMINAL DOOR SIZE	FRAME OPENING		CLEAR OPENING		OVERALL SIZE		WEIGHT
in. (mm)	A in. (mm)	B in. (mm)	C in. (mm)	D in. (mm)	E in. (mm)	F in. (mm)	LBS. (KG)
48 x 48 (1219 x 1219)	48 (1219)	48 (1219)	48 (1219)	45 (1143)	56 (1422)	56 (1422)	158 (72)
48 x 72 (1219 x 1829)	48 (1219)	72 (1829)	48 (1219)	70 (1778)	56 (1422)	80 (2032)	215 (98)
60 x 60 (1524 x 1524)	60 (1524)	60 (1524)	60 (1524)	58 (1473)	68 (1727)	68 (1727)	223 (101)



1/4" EXTRUDED TROUGH SECTION
 W/INTEGRAL CONTINUOUS ANCHOR
 FLANGE & GROOVE FOR GASKET
 FRAME MAT'L: ALUMINUM 6063-T5

FRAME DETAIL

OPTIONAL FEATURES
<input type="checkbox"/> S.S. HORIZONTAL SPRINGS
<input type="checkbox"/> S.S. SLAMLOCK
<input type="checkbox"/> BITUMINOUS PAINT ON AREA IN CONTACT WITH CONCRETE
<input type="checkbox"/> OTHERS: _____

NOTE:
 -MATERIAL: ALUMINUM WITH 316 STAINLESS STEEL NUTS & BOLTS, HINGES, AND HOLD OPEN ARM.
 -LOADING: 300 LBS. PER SQ. FOOT.

JOB NAME:
 CUSTOMER:

APPROVED BY:
 DATE: