

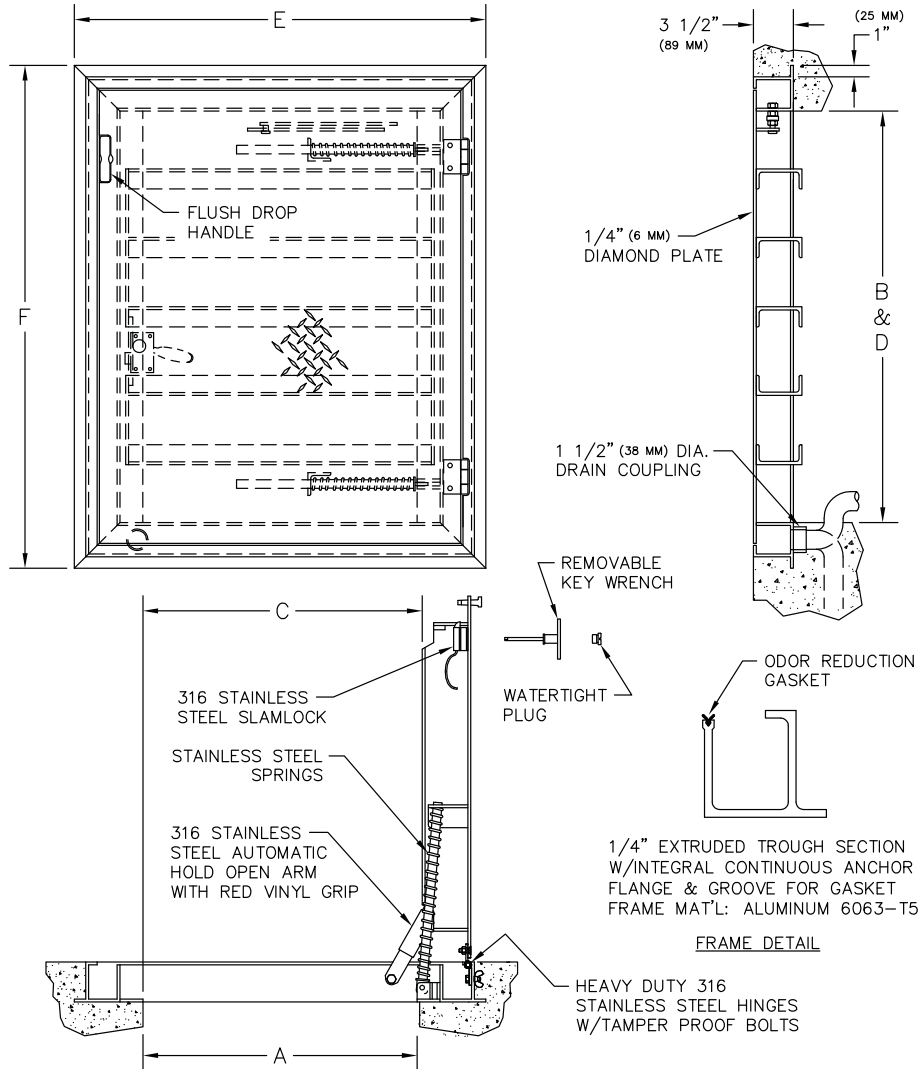


www.acudor.com  
 U.S.A.: info@acudor.com / 800.722.0501  
 CANADA: info@acudor.ca / 844.228.3671  
 INTERNATIONAL: info@acudorintl.com  
 905.428.2240

# FC-H20

## CHANNEL FRAME FLOOR DOOR H20 LOADING - SINGLE LEAF

NOMINAL DOOR SIZE	FRAME OPENING		CLEAR OPENING		OVERALL SIZE		WEIGHT
in. (mm)	A in. (mm)	B in. (mm)	C in. (mm)	D in. (mm)	E in. (mm)	F in. (mm)	LBS. (KG)
24 x 24 (610 x 610)	24 (610)	24 (610)	22 (559)	23 (584)	34 (864)	30 (762)	62 (28)
24 X 30 (610 x 762)	24 (610)	30 (762)	22 (559)	29 (737)	34 (864)	36 (914)	70 (32)
24 x 36 (610 x 914)	24 (610)	36 (914)	22 (559)	35 (889)	34 (864)	42 (1067)	87 (39)
30 x 30 (762 x 762)	30 (762)	30 (762)	28 (711)	29 (737)	40 (1016)	36 (914)	86 (39)
30 x 36 (762 x 914)	30 (762)	36 (914)	28 (711)	35 (889)	40 (1016)	42 (1067)	101 (46)
36 x 36 (914 x 914)	36 (914)	36 (914)	32 (838)	35 (889)	46 (1168)	42 (1067)	122 (55)
36 x 48 (914 x 1219)	36 (914)	48 (1219)	34 (864)	47 (1193)	46 (1168)	54 (1371)	120 (56)
42 x 42 (1067 x 1067)	42 (1067)	42 (1067)	40 (1016)	41 (1041)	52 (1320)	48 (1219)	125 (57)



**NOTE:**  
 -MATERIAL: ALUMINUM WITH STAINLESS STEEL SPRINGS, 316 STAINLESS STEEL NUTS & BOLTS, HINGES, AND HOLD OPEN ARM.  
 -LOADING: DESIGNED FOR OFF-STREET LOCATIONS WHICH MAY OCCASIONALLY RECEIVE H-20 WHEEL LOADS.  
 -BITUMINOUS COATING IS APPLIED TO AREA OF FRAME IN CONTACT WITH CONCRETE.

OPTIONAL FEATURES
<input type="checkbox"/> RECESSED STAPLE FOR PADLOCK
<input type="checkbox"/> OTHERS: _____

JOB NAME:  
 CUSTOMER:

APPROVED BY:  
 DATE:

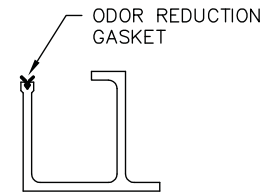
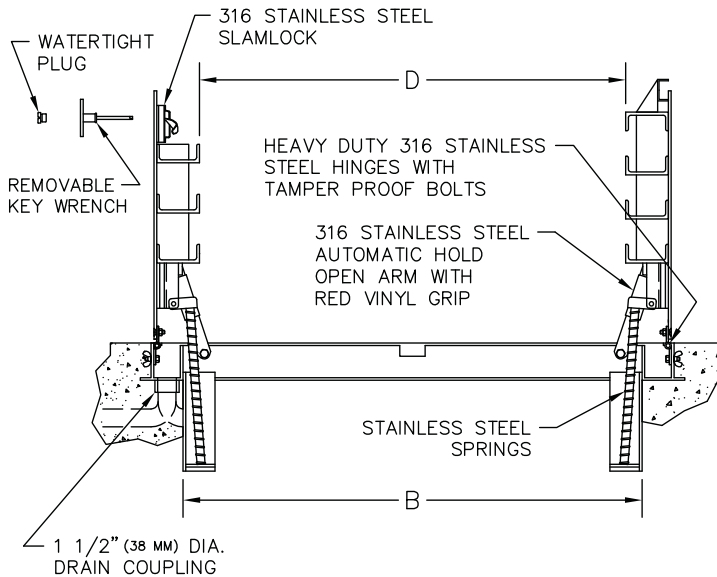
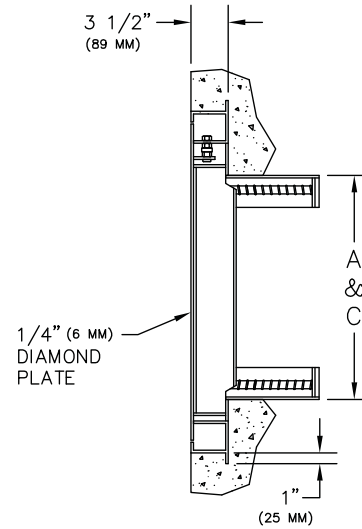
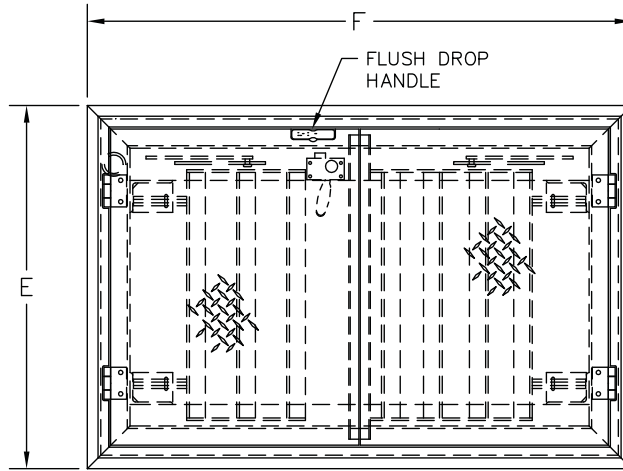


www.acudor.com  
 U.S.A.: info@acudor.com / 800.722.0501  
 CANADA: info@acudor.ca / 844.228.3671  
 INTERNATIONAL: info@acudorintl.com  
 905.428.2240

# FC-H20

## CHANNEL FRAME FLOOR DOOR H20 LOADING - DOUBLE LEAF

NOMINAL DOOR SIZE	FRAME OPENING		CLEAR OPENING		OVERALL SIZE		WEIGHT
in. (mm)	A in. (mm)	B in. (mm)	C in. (mm)	D in. (mm)	E in. (mm)	F in. (mm)	LBS. (KG)
48 x 48 (1219 x 1219)	48 (1219)	48 (1219)	48 (1219)	36 (914)	59 (1499)	54 (1372)	221 (100)
48 X 72 (1219 x 1829)	48 (1219)	72 (1829)	48 (1219)	60 (1524)	59 (1499)	78 (1981)	330 (150)
60 x 60 (1524 x 1524)	60 (1524)	60 (1524)	60 (1524)	44 (1118)	71 (1803)	66 (1676)	399 (181)



1/4" EXTRUDED TROUGH SECTION W/INTEGRAL CONTINUOUS ANCHOR FLANGE & GROOVE FOR GASKET  
 FRAME MAT'L: ALUMINUM 6063-T5

FRAME DETAIL

**NOTE:**

- MATERIAL: ALUMINUM WITH STAINLESS STEEL SPRINGS, 316 STAINLESS STEEL NUTS & BOLTS, HINGES, AND HOLD OPEN ARM.
- LOADING: DESIGNED FOR OFF-STREET LOCATIONS WHICH MAY OCCASIONALLY RECEIVE H-20 WHEEL LOADS.
- BITUMINOUS COATING IS APPLIED TO AREA OF FRAME IN CONTACT WITH CONCRETE.

**OPTIONAL FEATURES**

- RECESSED STAPLE FOR PADLOCK
- OTHERS: \_\_\_\_\_

JOB NAME:  
 CUSTOMER:

APPROVED BY:  
 DATE: