

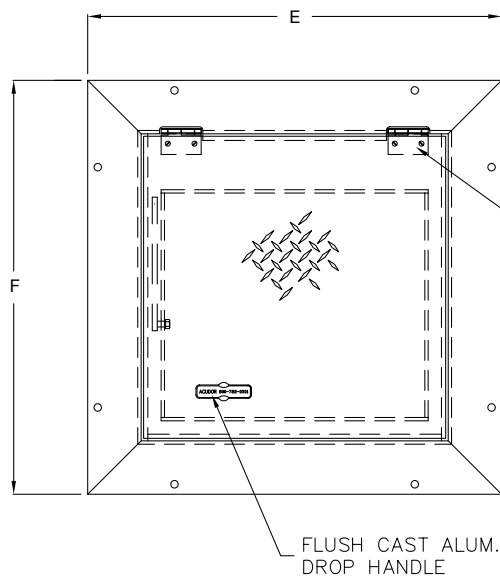
# ACUDOR Products Inc.

(Address 1) 80 Little Falls Rd. Fairfield NJ 07004 USA  
 (Address 2) 4216 N. Pecos Rd, Ste. 104 Las Vegas, NV 89115  
 Tel: 800-722-0501 Fax: (973)575-5160  
 www.acudor.com email: info@acudor.com

# FA-300 RETROFIT

## ANGLE FRAME FLOOR DOOR SINGLE LEAF

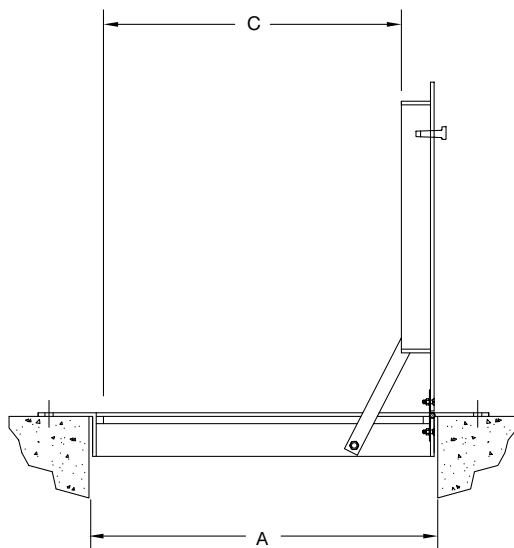
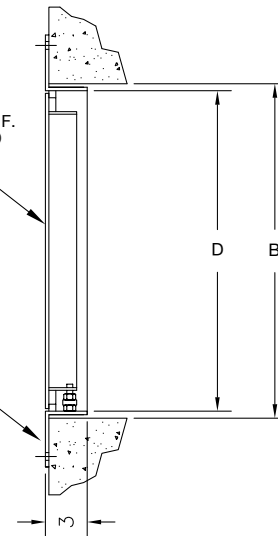
FLOOR OPENING	FRAME O.D.		CLEAR OPENING		OVERALL SIZE		WEIGHT
	A	B	C	D	E	F	
24 x 24 (610 x 610)	23 (610)	23 (610)	20 (533)	22 (584)	30 (762)	30 (762)	42 (19)
24 x 30 (610 x 762)	23 (610)	29 (762)	20 (533)	28 (737)	30 (762)	36 (914)	49 (22)
24 x 36 (610 x 914)	23 (610)	35 (914)	20 (533)	34 (889)	30 (762)	42 (1067)	55 (25)
30 x 30 (762 x 762)	29 (762)	29 (762)	26 (686)	28 (737)	36 (914)	36 (914)	57 (26)
30 x 48 (762 x 762)	29 (762)	47 (1219)	26 (686)	46 (1194)	36 (914)	54 (1372)	80 (36)
36 x 36 (914 x 914)	35 (914)	35 (762)	31 (813)	34 (889)	42 (1067)	42 (1067)	73 (33)
36 x 48 (914 x 1219)	35 (914)	47 (1219)	31 (813)	46 (1194)	42 (1067)	54 (1372)	92 (42)
42 x 42 (1067 x 1067)	41 (1067)	41 (1067)	37 (965)	40 (1041)	48 (1219)	48 (1219)	94 (43)



S.S. HINGES WITH TAMPER PROOF BOLTS

DIAMOND PLATE  
 -1/4 FOR 300 P.S.F.  
 (6 MM) (1464 KG./SQ. M)

EXTRUDED ANGLE FRAME WITH INTEGRAL SEAT & CONTINUOUS ANCHOR FLANGE



9/16" DIA. HOLE @ 18" O.C.  
 4 X 3 X 1/4 <  
 1/2" SQ. BAR

FRAME DETAIL

### OPTIONAL FEATURES

- S.S. HORIZONTAL SPRINGS
- S.S. SLAMLOCK
- BITUMINOUS PAINT ON AREA IN CONTACT WITH CONCRETE
- OTHERS: \_\_\_\_\_

ACUDOR PRODUCTS, INC.  
 FAIRFIELD, NJ

### NOTE:

- 1- MATERIAL: ALUMINUM
- 2- LOADING: 300 LBS. PER SQ. FT.
- 3- 316 STAINLESS STEEL BOLTS & NUTS
- 4- APPROX. HATCH WEIGHT: 41 LBS.

JOB NAME:  
 CUSTOMER:

APPROVED BY:  
 DATE: