

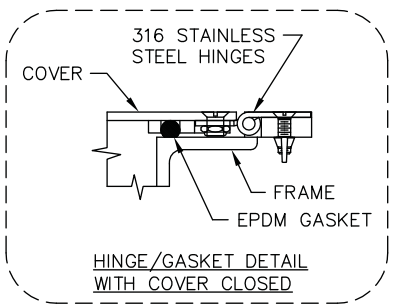
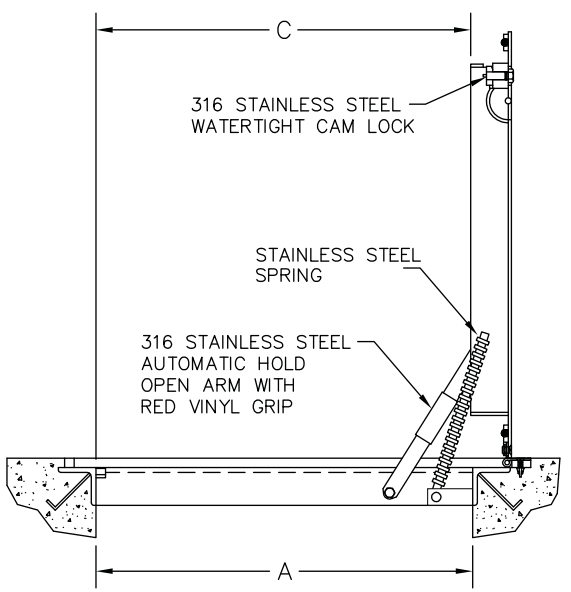
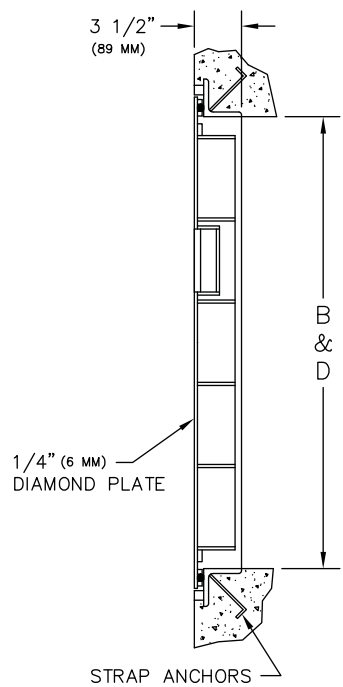
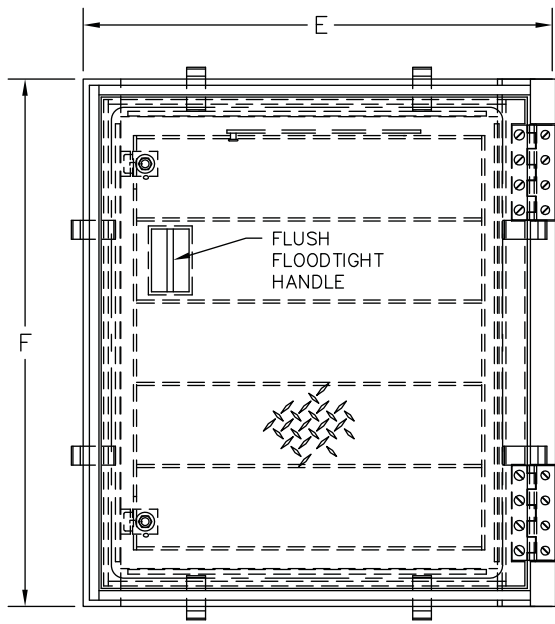


www.acudor.com  
 U.S.A.: info@acudor.com / 800.722.0501  
 CANADA: info@acudor.ca / 844.228.3671  
 INTERNATIONAL: info@acudorintl.com  
 905.428.2240

# AW-APS

## ANGLE FRAME FLOOR DOOR FLOODTIGHT/GASTIGHT

NOMINAL DOOR SIZE	FRAME OPENING		CLEAR OPENING		OVERALL SIZE		WEIGHT
	A in. (mm)	B in. (mm)	C in. (mm)	D in. (mm)	E in. (mm)	F in. (mm)	
24 x 24 (610 x 610)	24 (610)	24 (610)	24 (610)	24 (610)	37-3/8 (949)	30 (762)	84 (38)
24 x 30 (610 x 762)	24 (610)	30 (762)	24 (610)	30 (762)	37-3/8 (949)	36 (914)	101 (46)
24 x 36 (610 x 914)	24 (610)	36 (914)	24 (610)	36 (914)	37-3/8 (949)	42 (1067)	117 (53)
30 x 30 (762 x 762)	30 (762)	30 (762)	30 (762)	30 (762)	43-3/8 (1102)	36 (914)	125 (57)
30 x 36 (762 x 914)	30 (762)	36 (914)	30 (762)	36 (914)	43-3/8 (1102)	42 (1067)	136 (62)
30 x 48 (762 x 1219)	30 (762)	48 (1219)	30 (762)	48 (1219)	43-3/8 (1102)	54 (1372)	176 (80)
36 x 36 (914 x 914)	36 (914)	36 (914)	36 (914)	36 (914)	49-3/8 (1254)	42 (1067)	156 (71)
36 x 48 (914 x 1219)	36 (914)	48 (1219)	36 (914)	48 (1219)	49-3/8 (1254)	54 (1372)	201 (91)



**NOTE:**  
 - MATERIAL: ALUMINUM WITH 316 STAINLESS STEEL NUTS & BOLTS, CAM LOCKS, HINGES AND HOLD OPEN ARM.  
 - LOADING: 1560 LBS. PER SQ. FOOT (7611 KG. PER SQ. M) (CAPABLE OF HOLDING UP TO 25 FT. HEAD OF WATER)  
 - S.S. HORIZONTAL SPRINGS  
 - BITUMINOUS PAINT ON AREA IN CONTACT WITH CONCRETE

JOB NAME:  
 CUSTOMER:

APPROVED BY:  
 DATE: