

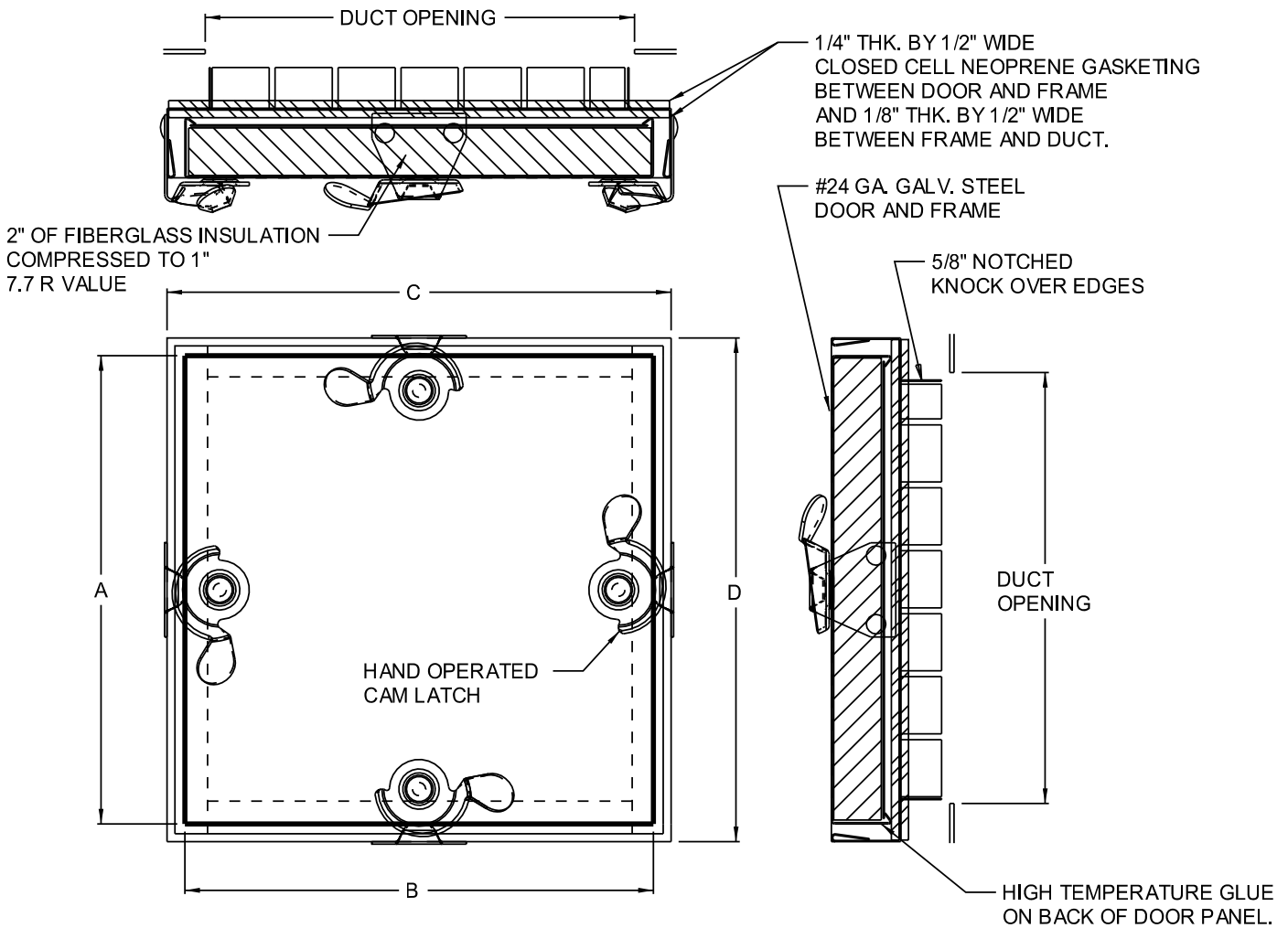


www.acudor.com
 U.S.A.: info@acudor.com / 800.722.0501
 CANADA: info@acudor.ca / 844.228.3671
 INTERNATIONAL: info@acudorintl.com
 (905) 428.2240

CD-5080-HP

DUCT DOOR - NO HINGE

QTY.	NOMINAL SIZE	A	B	C	D	DUCT OPENING	LATCH
	6 x 6 (152 x 152)	5.5 (140)	5.5 (140)	6 (152)	6 (152)	4.75 x 4.75 (121 x 121)	2
	8 x 8 (203 x 203)	7.5 (191)	7.5 (191)	8 (203)	8 (203)	6.75 x 6.75 (171 x 171)	2
	10 x 10 (254 x 254)	9.5 (241)	9.5 (241)	10 (250)	10 (250)	8.75 x 8.75 (222 x 222)	2
	12 x 12 (304 x 304)	11.5 (292)	11.5 (292)	12 (304)	12 (304)	10.75 x 10.75 (273 x 273)	2
	14 x 14 (356 x 356)	13.5 (343)	13.5 (343)	14 (356)	14 (356)	12.75 x 12.75 (324 x 324)	4
	16 x 16 (406 x 406)	15.5 (394)	15.5 (394)	16 (356)	16 (356)	14.75 x 14.75 (375 x 375)	4
	18 x 18 (457 x 457)	18.5 (445)	18.5 (445)	18 (457)	18 (457)	16.75 x 16.75 (425 x 425)	4
	20 x 20 (508 x 508)	19.5 (495)	19.5 (495)	20 (508)	20 (508)	18.75 x 18.75 (476 x 476)	4
	24 x 24 (610 x 610)	23.5 (597)	23.5 (597)	24 (610)	24 (610)	22.75 x 22.75 (578 x 578)	4



STANDARD FEATURES: REMOVABLE DOOR PANEL, SELF TIGHTENING HAND OPERATED CAM LATCH, GALVANIZED STEEL, MILL FINISH.

OPTIONS:

LOCK TYPE

OTHER

MATERIAL

STAINLESS STEEL

ALUMINUM

OTHER

JOB NAME:

APPROVED BY:

CUSTOMER:

DATE: