

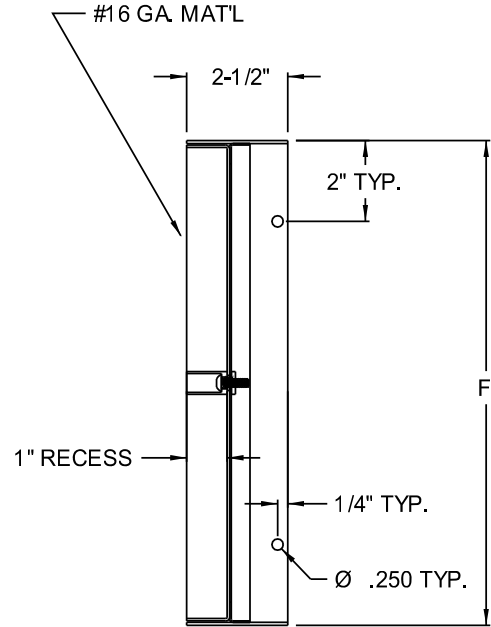
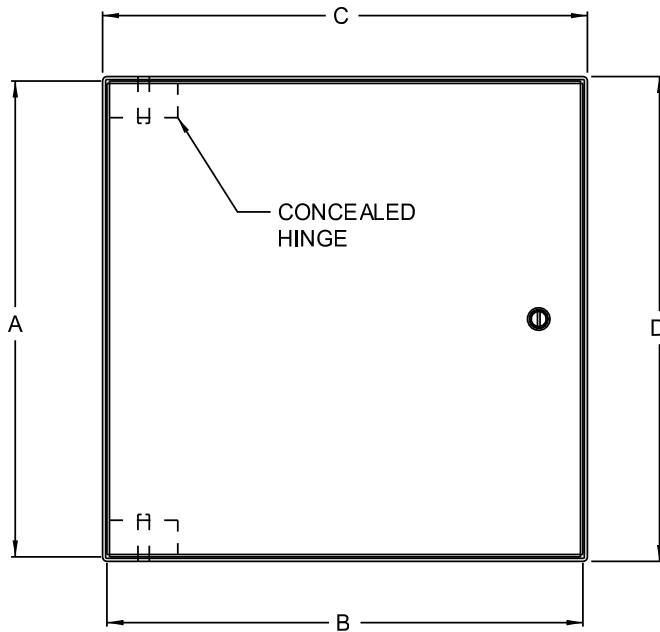
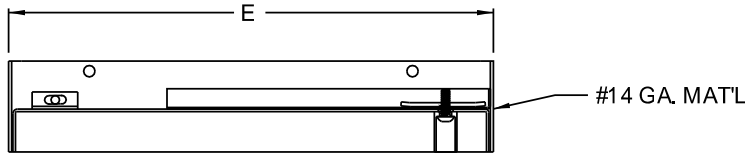


www.acudor.com
 U.S.A.: info@acudor.com / 800.722.0501
 CANADA: info@acudor.ca / 844.228.3671
 INTERNATIONAL: info@acudorintl.com
 (905) 428.2240

AT-5020

RECESSED FOR TILE

QTY.	NOMINAL SIZE	A	B	C	D	E	F	LOCK
	12 x 12 (305 x 305)	11.81 (300)	11.81 (300)	12 (305)	12 (305)	12 (305)	12 (305)	1
	18 x 18 (457 x 457)	17.81 (452)	17.81 (452)	18 (457)	18 (457)	18 (457)	18 (457)	2
	24 x 24 (610 x 610)	23.81 (605)	23.81 (605)	24 (610)	24 (610)	24 (610)	24 (610)	2
	24 x 36 (610 x 914)	35.81 (910)	23.81 (605)	24 (610)	36 (914)	24 (610)	36 (914)	2



STANDARD FEATURES: STAINLESS STEEL SCREW DRIVER OPERATED CAM LATCH, CARBON STEEL, PRIME COAT BAKED ENAMEL FINISH

OPTIONS:

- LOCK TYPE**
- CYLINDER LOCK & KEY
 - ALLEN HEAD CAM LATCH
 - SPANNER HEAD CAM LATCH
 - OTHER

- MATERIAL**
- STAINLESS STEEL
 - OTHER

- FINISH**
- #4 SATIN POLISH
 - OTHER

JOB NAME:

APPROVED BY:

CUSTOMER:

DATE: