

RHADD

DOMED ROOF HATCH

Application

Acudor Domed Roof Hatches are designed to provide convenient, economical access to the roof of a building. The Polycarbonate Domes provide the benefit of a skylight.

Features RHADD

- Clear polycarbonate double-skin dome

Optional Features RHADD

- Stainless Steel cover, curb, and/or hardware
- Louvered Curbs
- Curb Mounted Units
- Curb pitch corrected for sloped roof
- All Aluminum construction, cover and curb

RHADD Specifications:

Cover: Double-skin construction ("in box type design") with 1" polyiso insulation and a continuous EPDM foam weather/draft seal gasket that is attached to the inside of cover to provide a flush, tight fit. Designed to support a live load of 40lbs./sq. ft., the cover is 1/8" thick aluminum.

To accommodate the clear polycarbonate domes, an aluminum extrusion with built in condensation drainage channel is provided

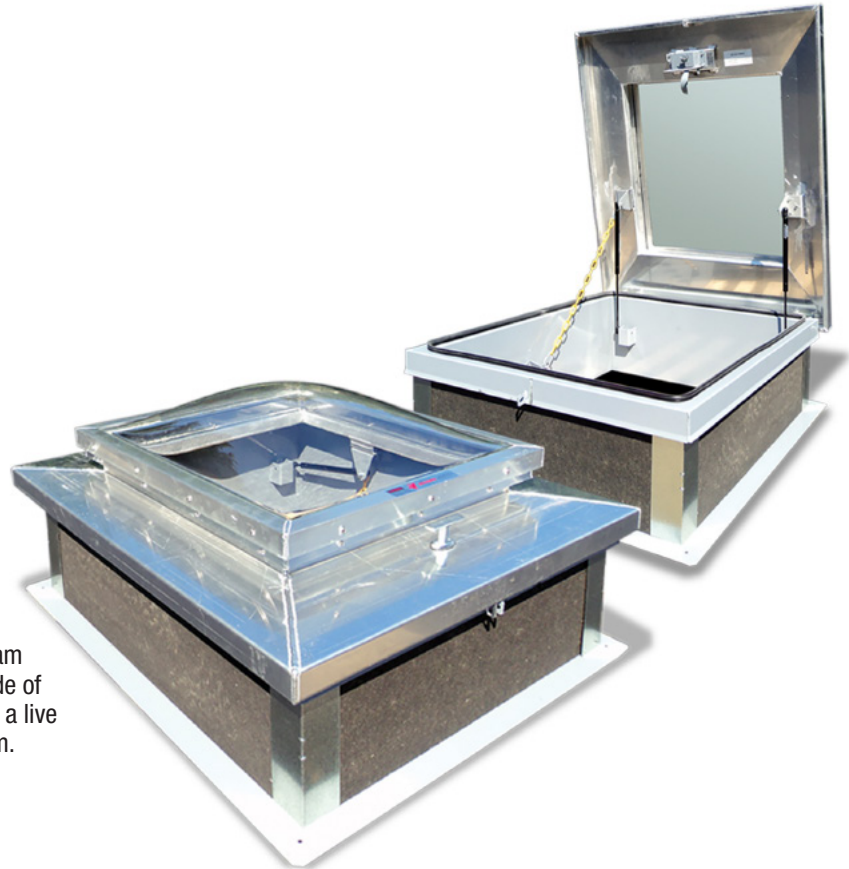
Curb: 11 gauge Aluminum with 1" thick fiberboard roof insulation at curb exterior. Curb is 12" high, with 3.375" wide bottom flange and pre-drilled mounting holes

Hinge: Heavy Duty Aluminum pintle hinges with 3/8" pin

Opening: Gas spring operators allow cover to open and close with ease. Inside pull handle allows for easy control when closing cover.

Door Latch: Self latching, zinc plated outside T handle with stainless steel inside lock and lever assembly. Unit also has inside and outside padlock provisions.

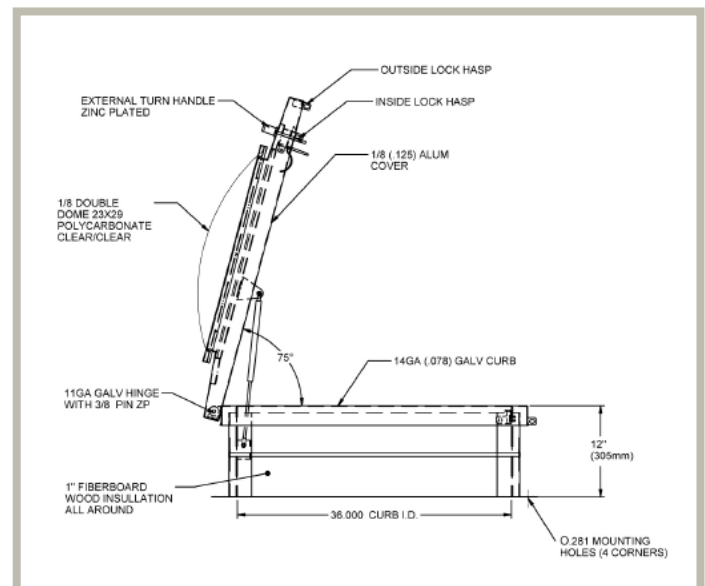
Finish: Mill finish



RHADD STANDARD SIZES

(special sizes available upon request)

Model	Nominal Door Size W&H inches (mm)	Weight per Door	
		materials	lbs. (kg.)
ADD3232	24 X 24 (610 X 610)	ALUM	125 (56.8)
ADD3244	24 X 36 (610 X 914)	ALUM	135 (61.4)
ADD3838	30 X 30 (762 X 762)	ALUM	140 (63.5)
ADD3844	30 X 36 (762 X 914)	ALUM	155 (70.5)
ADD4444	36 X 36 (914 X 914)	ALUM	170 (77.3)



For detailed specifications see submittal sheet