

RHG GALVANIZED SERVICE STAIR ACCESS ROOF HATCH

Application

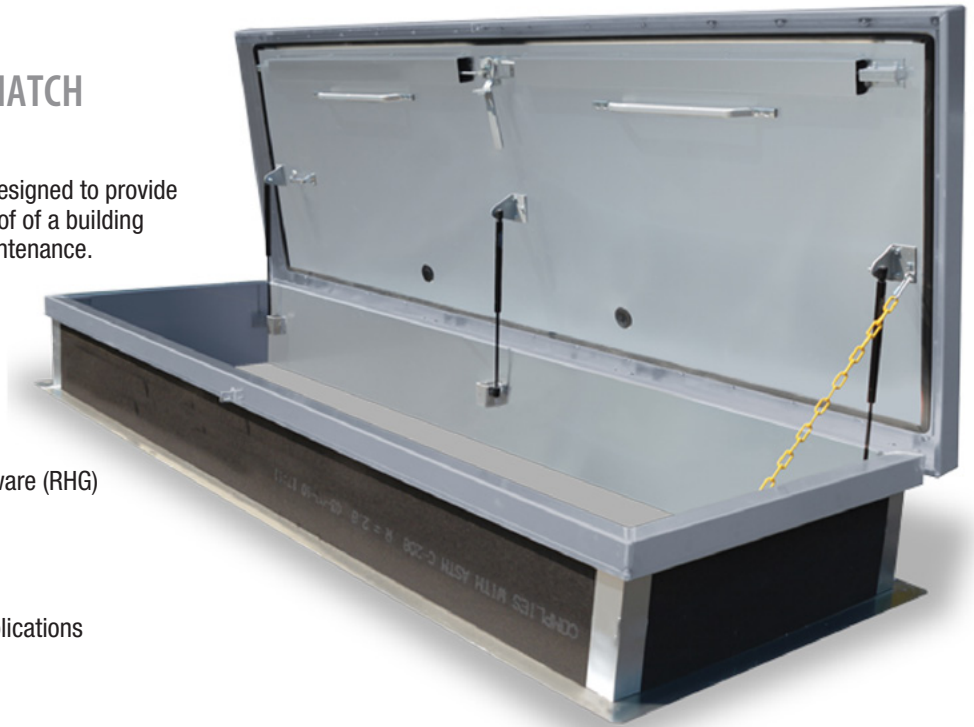
- Acudor Service Stair Roof Hatches are designed to provide convenient, economical access to the roof of a building from a full size staircase to perform maintenance.

Features RHG

- Weather tight construction
- Convenient one-hand operation
- 12" high insulated curb
- Supports 40lbs./sq. ft. live load

Optional Features RHG

- Stainless Steel cover, curb, and/or hardware (RHG)
- Polycarbonate domes for daylighting
- Louvered Curbs
- Curb Mounted Units
- Curb pitch corrected for sloped roof
- Higher curb heights for "green roof" applications



RHG Specifications:

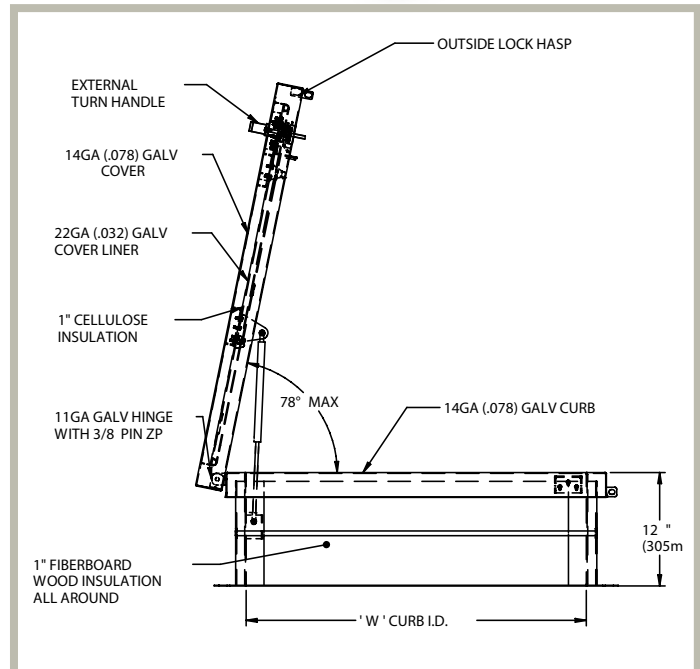
Cover: Double-skin construction ("in box type design") with 1" cellulose insulation and a continuous EPDM foam weather/draft seal gasket that is attached to the inside of cover to provide a flush, tight fit. Designed to support a live load of 40lbs./sq. ft., the cover is 14 gauge galvanized steel with a 22 gauge galvanized steel inside liner.

Curb: 14 gauge galvanized steel with 1" thick fiberboard roof insulation at curb exterior. Curb is 12" high, with 3.375" wide bottom flange and pre-drilled mounting holes.

Hinge: Heavy duty galvanized steel pintle hinges with 3/8" pin
Opening: Gas spring operators allow cover to open and close with ease. Inside pull handle allows for easy control when closing cover.

Door Latch: Self latching, zinc plated outside T handle with stainless steel inside lock and lever assembly. Unit also has inside and outside padlock provisions.

Finish: Material is prepared with an iron phosphate wash, followed by a rust inhibiting primer, and then a baked on polyester enamel paint.



RHG STANDARD SIZES (other sizes available)

Model	Curb ID W&L inches (mm)	Weight per Hatch lbs. (kg.)
G38104	30 x 96 (762 x 2438)	335 (152.3)

For detailed specifications see submittal sheet