



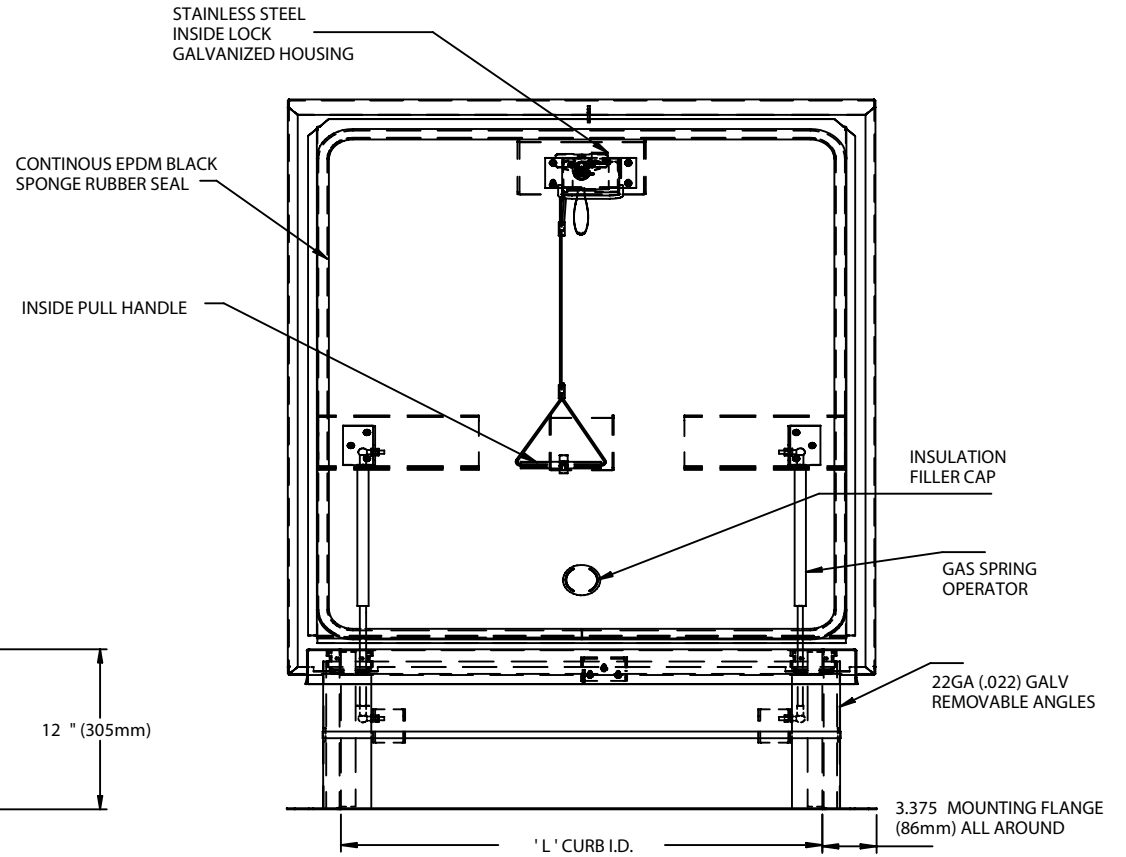
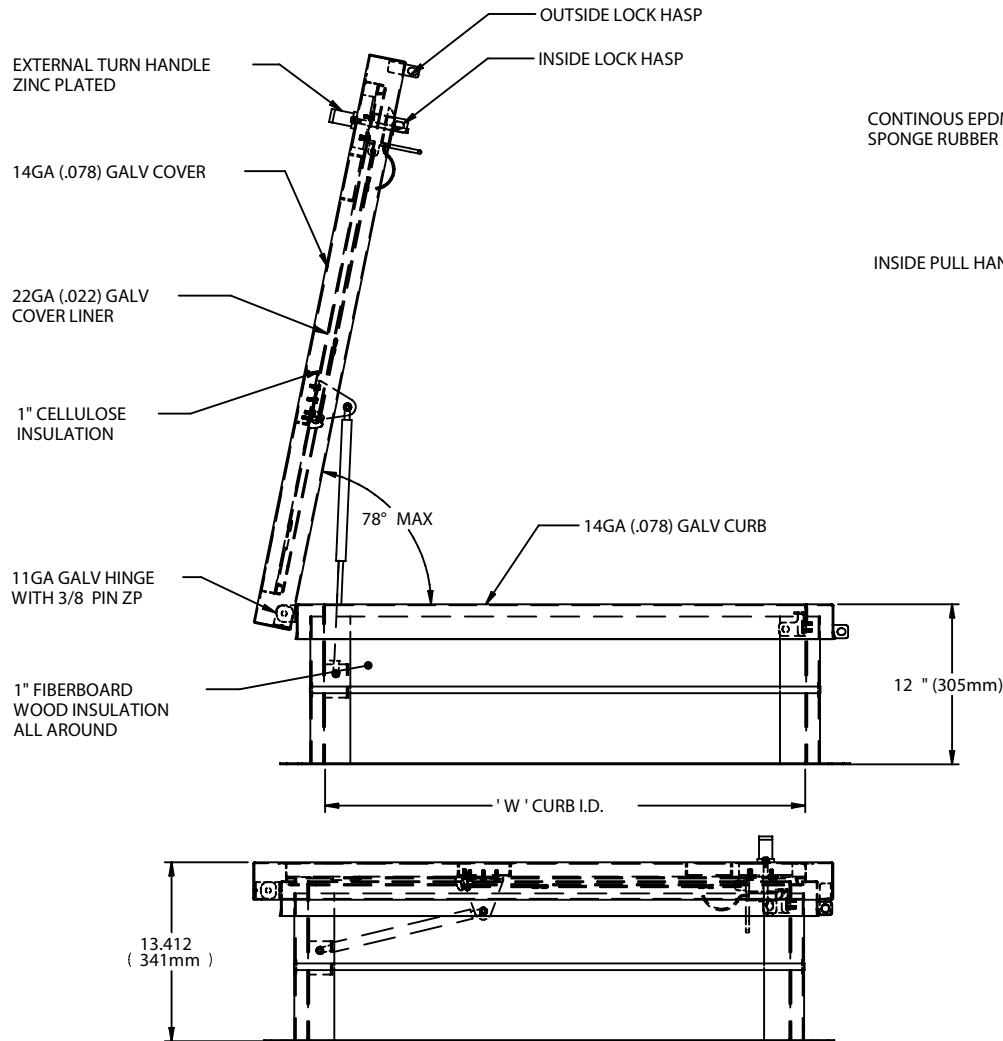
www.acudor.com
 U.S.A.: info@acudor.com / 800.722.0501
 CANADA: info@acudor.ca / 844.228.3671
 INTERNATIONAL: info@acudorintl.com
 905.428.2240

QTY	OPENING WIDTH "W"	OPENING LENGTH "L"	QTY	OPENING WIDTH "W"	OPENING LENGTH "L"
	48" (1219mm)	48" (1219mm)			

EQUIPMENT ACCESS ROOF HATCH GALVANIZED

ASSEMBLY NOTE:
 UNIT SHALL BE COMPLETELY ASSEMBLED AS SHOWN
 AND SUPPLIED TO JOB READY FOR INSTALLATION

FINISH: BAKED ENAMEL POLYESTER
COLOR: RAL 7046 TELEGREY2



JOB NAME: _____ APPROVED BY: _____
 CUSTOMER: _____ DATE: _____
 COPYRIGHT © 2014 ACUDOR ACCESS DOORS AND ACUDOR PRODUCTS INC. ALL RIGHTS RESERVED