

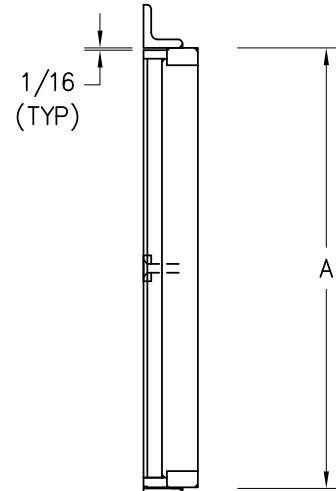
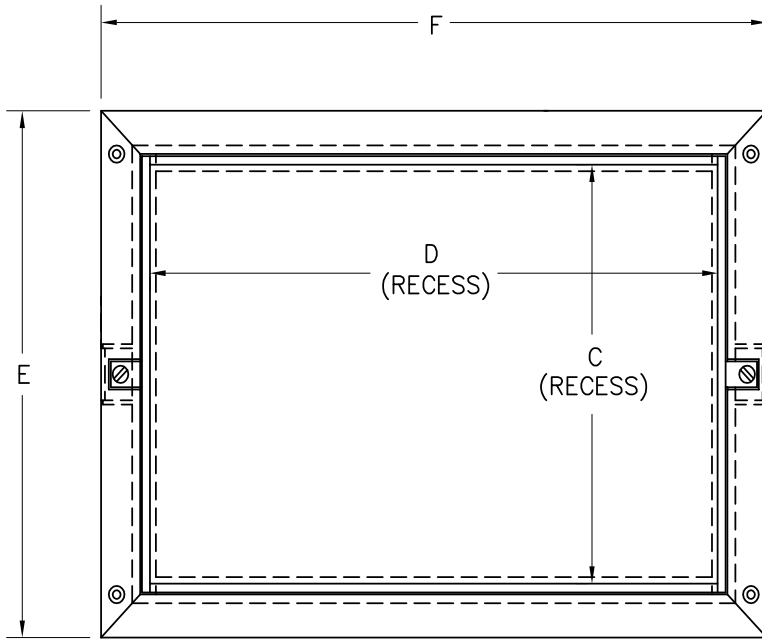


www.acudor.com  
 U.S.A.: info@acudor.com / 800.722.0501  
 CANADA: info@acudor.ca / 844.228.3671  
 INTERNATIONAL: info@acudorintl.com  
 905.428.2240

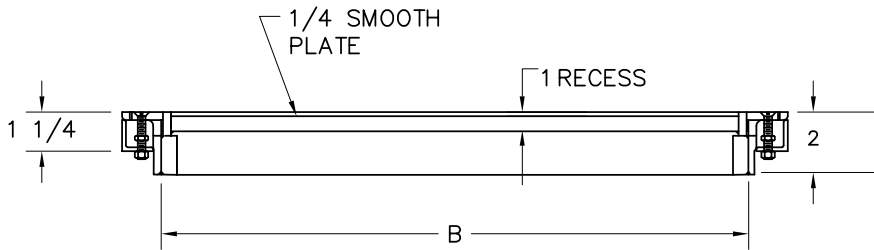
# FT-8080

## NON-HINGED PANEL RECESSED 1" FOR CERAMIC TILE/CONCRETE

NOMINAL DOOR SIZE	FRAME I.D.		RECEIVING AREA		OVERALL SIZE		WEIGHT
	in. (mm)	A in. (mm)	B in. (mm)	C in. (mm)	D in. (mm)	E in. (mm)	
8 x 8	8.750 (222)	8.750 (222)	8.125 (206)	8.125 (206)	11.750 (298)	11.750 (298)	6 (3)
12 x 12	12.750 (324)	12.750 (324)	12.125 (308)	12.125 (308)	15.750 (476)	15.750 (476)	9 (4)
18 x 18	18.750 (476)	18.750 (476)	18.125 (460)	18.125 (460)	21.750 (552)	21.750 (552)	18 (8)
24 x 24	24.750 (629)	24.750 (629)	24.125 (613)	24.125 (613)	27.750 (705)	27.750 (705)	36 (16)

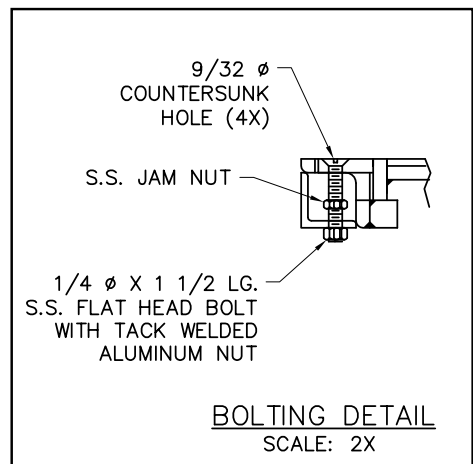


L2 x 1/2 x 1/4 ALUMINUM FRAME



**NOTES:**

- 1- MATERIAL: ALUMINUM
- 2- LOADING: 150 LBS. PER SQ. FT.
- 3- 316 STAINLESS STEEL NUTS & BOLTS



JOB NAME:  
 CUSTOMER:

APPROVED BY:  
 DATE: