

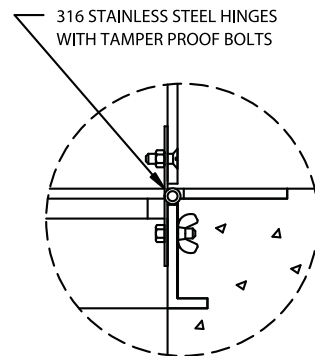
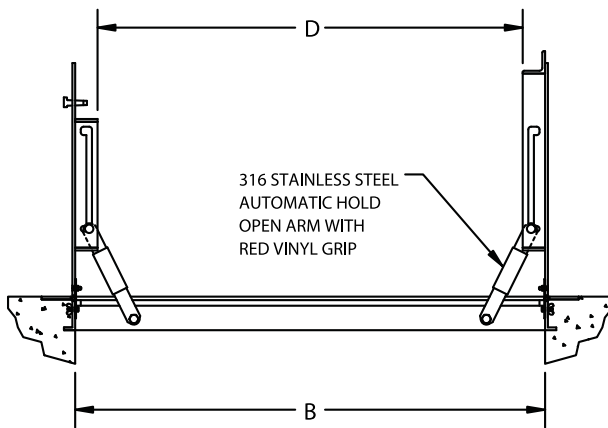
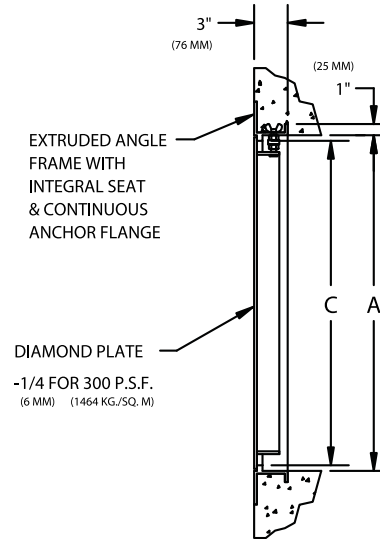
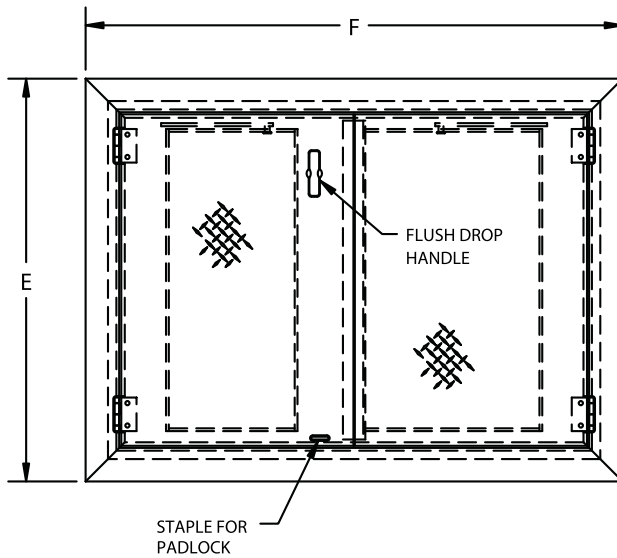


www.acudor.com
 U.S.A.: info@acudor.com / 800.722.0501
 CANADA: info@acudor.ca / 844.228.3671
 INTERNATIONAL: info@acudorintl.com
 905.428.2240

FA-300

ANGLE FRAME FLOOR DOOR DOUBLE LEAF

NOMINAL DOOR SIZE	FRAME OPENING		CLEAR OPENING		OVERALL SIZE		WEIGHT
in. (mm)	A in. (mm)	B in. (mm)	C in. (mm)	D in. (mm)	E in. (mm)	F in. (mm)	LBS. (KG)
48 x 48 (1219 x 1219)	48 (1219)	48 (1219)	47 (1194)	41 (1041)	54 (1372)	54 (1372)	123 (56)
48 x 72 (1219 x 1829)	48 (1219)	72 (1829)	47 (1194)	65 (1651)	54 (1372)	78 (1981)	170 (77)
60 x 60 (1524 x 1524)	60 (1524)	60 (1524)	59 (1499)	54 (1372)	66 (1676)	66 (1676)	177 (80)



NOTE:
 -MATERIAL: ALUMINUM WITH 316 STAINLESS STEEL NUTS & BOLTS, HINGES, AND HOLD OPEN ARM.
 -LOADING: 300 LBS. PER SQ. FOOT. (1464 KG. PER SQ. M)

OPTIONAL FEATURES
<input type="checkbox"/> S.S. HORIZONTAL SPRINGS
<input type="checkbox"/> S.S. SLAMLOCK
<input type="checkbox"/> BITUMINOUS PAINT ON AREA IN CONTACT WITH CONCRETE
<input type="checkbox"/> OTHERS: _____

JOB NAME:
 CUSTOMER:

APPROVED BY:
 DATE: