



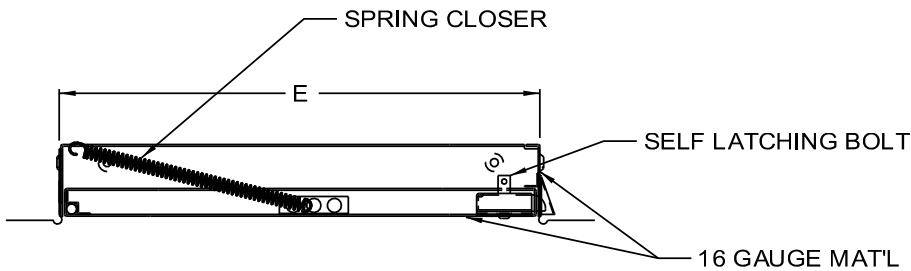
ACUDOR

www.acudor.com
U.S.A.: info@acudor.com / 800.722.0501
CANADA: info@acudor.ca / 844.228.3671
INTERNATIONAL: info@acudorintl.com
(905) 428.2240

FB-5060-DW

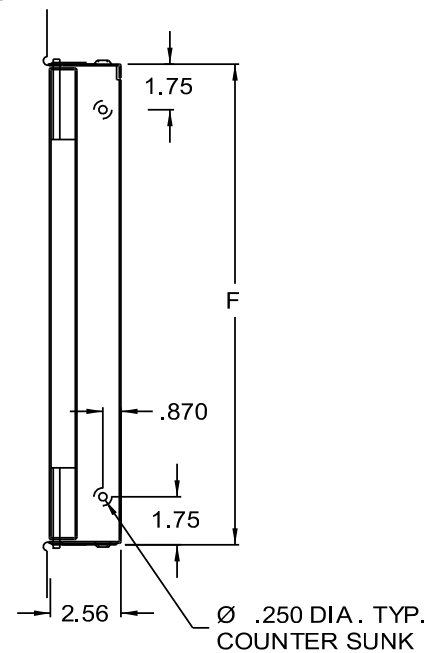
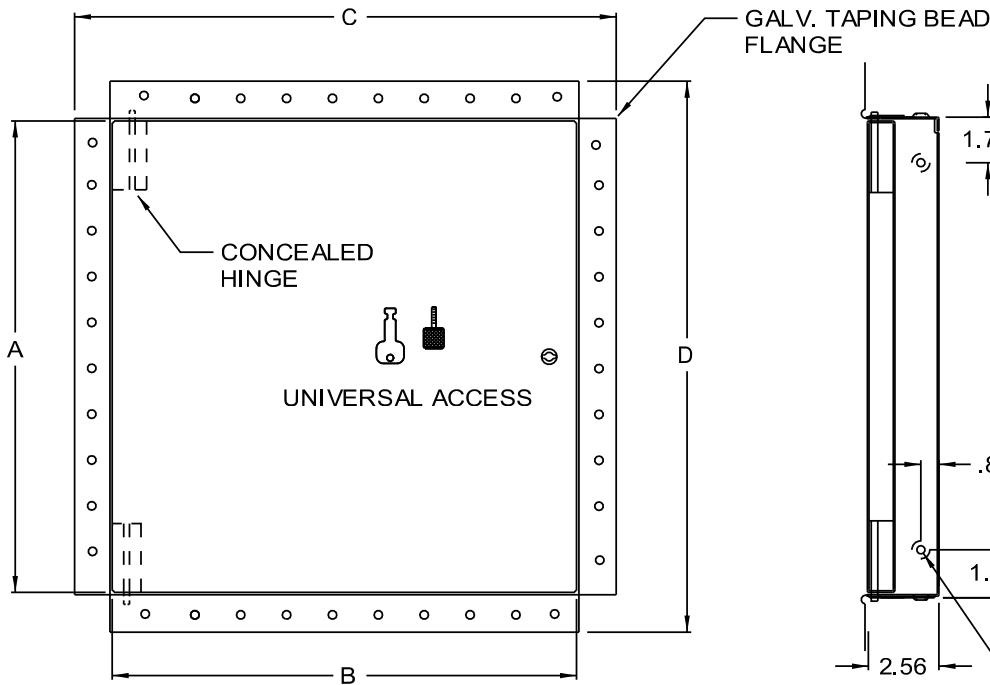
FIRE RATED - FOR WALLS

QTY.	NOMINAL SIZE	A	B	C	D	E	F	LOCK
	8 X 8 (203 X 203)	7.78 (198)	7.78 (198)	10.62 (270)	10.62 (270)	8.12 (206)	8.12 (206)	1
	10 x 10 (254 x 254)	9.78 (248)	9.78 (248)	12.62 (321)	12.62 (321)	10.12 (257)	10.12 (257)	1
	12 x 12 (305 x 305)	11.78 (299)	11.78 (299)	14.62 (371)	14.62 (371)	12.12 (308)	12.12 (308)	1
	14 x 14 (356 x 356)	13.78 (350)	13.78 (350)	16.62 (422)	16.62 (422)	14.12 (359)	14.12 (359)	1
	16 x 16 (406 x 406)	15.78 (401)	15.78 (401)	18.62 (473)	18.62 (473)	16.12 (409)	16.12 (409)	1
	18 x 18 (457 x 457)	17.78 (452)	17.78 (452)	20.62 (524)	20.62 (524)	18.12 (460)	18.12 (460)	1
	24 x 24 (610 x 610)	23.78 (604)	23.78 (604)	26.62 (676)	26.62 (676)	24.12 (613)	24.12 (613)	1



WALLS

Approved by Underwriters Laboratories (UL) for 1 1/2 hours "B" label in walls and ULC for 2 hours "B" label in walls.



STANDARD FEATURES: UNIVERSAL SELF LATCHING BOLT- OPERATED BY KNURLED KNOB / FLUSH KEY/ AND INSIDE TURN RELEASE.

OPTIONS: CARBON STEEL, PRIME COAT BAKED ENAMEL FINISH

LOCK TYPE

- RIM CYLINDER LOCK
- PREPARED FOR MORTISE CYLINDER LOCK

- STAINLESS STEEL
- OTHER

FINISH

- #4 SATIN POLISH
- OTHER

ALL FIRE RATED:

SPECIAL SIZES CAN BE ORDERED, BUT BASIC CONSTRUCTION MUST REMAIN CONSTANT TO COMPLY WITH UL AND ULC REGULATIONS.

JOB NAME:

APPROVED BY:

CUSTOMER:

DATE: