

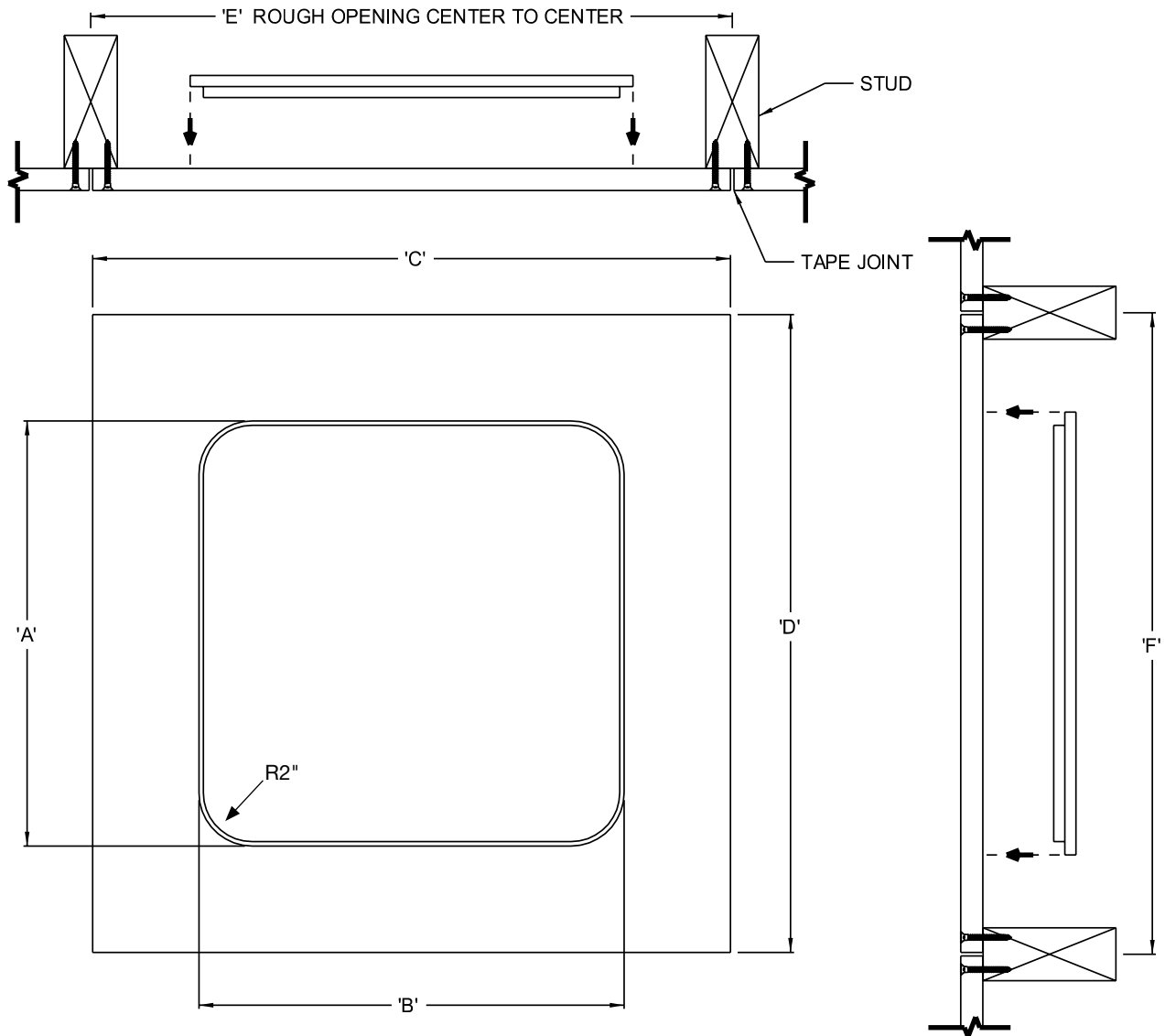
# ACUDOR Products Inc.

(Address 1) 80 Little Falls Rd. Fairfield NJ 07004 USA  
(Address 2) 4216 N. Pecos Rd, Ste. 104 Las Vegas, NV 89115  
Tel: 800-722-0501 Fax: (973)575-5160  
www.acudor.com email: info@acudor.com

# GFRG-R

## RADIUS CORNER POP-OUT ACCESS PANEL

QTY.	NOMINAL SIZE	A	B	C	D	E	F
	9" x 9" (229 x 229)	9" (229)	9" (229)	15" (381)	15" (381)	15" (381)	15" (381)
	12" x 12" (305 x 305)	12" (305)	12" (305)	18" (457)	18" (457)	18" (457)	18" (457)
	16" x 16" (406 x 406)	16" (406)	16" (406)	22" (559)	22" (559)	22" (559)	22" (559)
	18" x 18" (457 x 457)	18" (457)	18" (457)	24" (610)	24" (610)	24" (610)	24" (610)
	24" x 24" (610 x 610)	24" (610)	24" (610)	30" (762)	30" (762)	30" (762)	30" (762)
	22" x 30" (559 x 762)	22" (559)	22" (559)	28" (711)	36" (711)	28" (711)	36" (711)
	30" x 30" (762 x 762)	30" (762)	30" (762)	36" (914)	36" (914)	36" (914)	36" (914)



JOB NAME:  
CUSTOMER:

APPROVED BY:  
DATE: